

advanced FLOW engineering

Instruction Manual P/N: 51-74101 & 54-74101

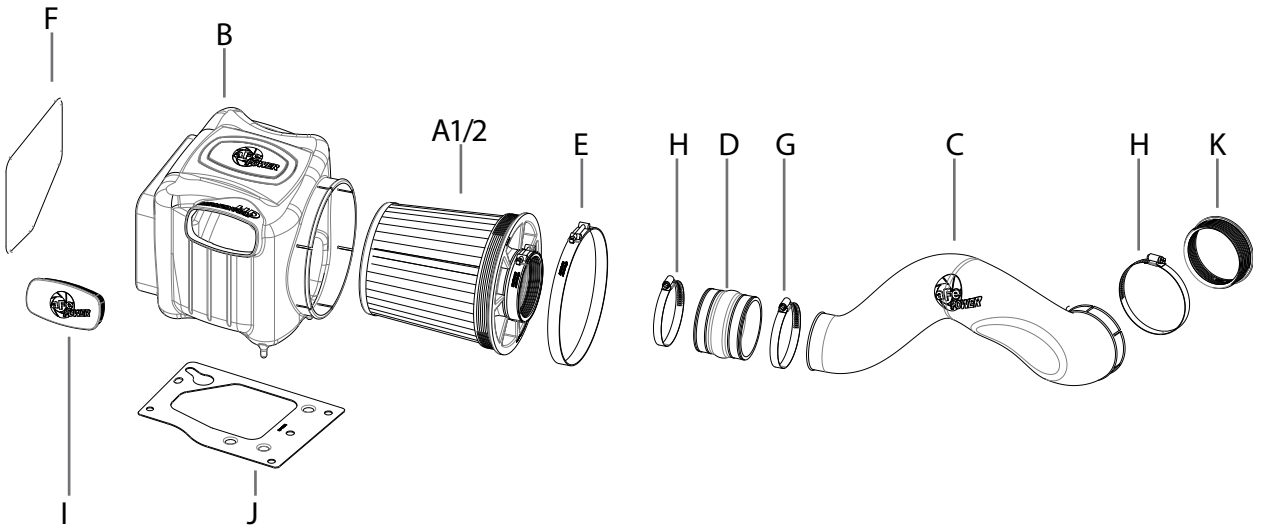
Make: Chevrolet/GMC Model: Trucks/SUVs Year: 99-07 Engine: V8-4.8L / 5.3L / 6.0L



- Please read the entire instruction manual before proceeding.
- Ensure all components listed are present.
- If you are missing any of the components, call customer support at 951-493-7100.
- Ensure you have all necessary tools before proceeding.
- Do not attempt to work on your vehicle when the engine is hot.
- Disconnect the negative battery terminal before proceeding.
- Retain factory parts for future use.

Label	Qty.	Description	Part Number
A1	1	Pro DRY S Air Filter	21-91079 (Gray Media)
A2	1	Pro 5R Air Filter	24-91079 (Blue Media)
B	1	Housing	05-74003B2
C	1	Tube	05-74101B1
D	1	Hump Coupling	05-00565
E	1	8" T-Bolt Clamp	03-50267
F	1	Seal Trim - 26"	05-00072
G	2	Clamp #060	03-50002
H	1	Clamp #072	03-50010
I	1	Urethane Plug	05-01202
J	1	Mounting Plate	05-01291
K	1	Adaptor Coupling	05-01308

Installation will require the following tools:
 4mm Hex Key, 9/16 Wrench, 5/16 Nut Driver, 10mm Socket & Ratchet, T-15 Torx Driver.



**FigureA**

Refer to Figure A for steps 1-3

Step 1. Remove Engine Cover.

Step 2. Loosen the clamps attaching the tube to the intake housing and throttle body.

Step 3. Disconnect the wire harness from the MAF Sensor (1).



FigureB

Refer to Figure B for steps 4-5

Step 4. Remove the stock housing by lifting up and out.

Step 5. Detach the coolant hose support clip from the stock intake tube.



Figure C

Refer to Figure C for steps 6-8

Step 6. Remove the 4 bolts from stock housing bracket and save them for later use.

Step 7. Remove stock housing bracket.

Step 8. Remove the factory rubber grommets ① and save for later use.



FigureD

Refer to Figure D for steps 9-10

Step 9. Install aFe housing bracket and secure with the 4 stock bolts.

Step 10. Install the factory rubber grommets onto aFe mounting plate (2).



Figure E

Refer to Figure E for step 9

Step 9: Slide the air filter (E) into the air box (C). Install supplied T-bolt clamps (D & E).

(Do not tighten clamps at this time)

IMPORTANT: Prior to installation of T-bolt clamp, we recommend that you stretch the T-bolt clamps by installing it in its intended position and tightening.



Figure F

Refer to Figure F for steps 10 & 11

Step 10: Install the trim seal (B) on the edge of the Momentum air box.

Step 11: Remove the retaining plug (2) from the factory air box and install on the Momentum air box.



Figure G

Refer to Figure G for steps 12-16

Step 12. Install the aFe airbox into the vehicle by firmly pushing it into the factory mounting grommets.

Step 13. Insert stock MAF cartridge into filter as shown ①.

Step 14. Tighten band clamp ②.

Step 15. Slip #60 band clamp over hump coupling and slip over MAF cartridge ③.

Step 16. Slide # 60 band clamp on hump coupling ④, do not tighten at this time.



Figure H

Refer to Figure H for step 17

Step 17. Install adaptor coupling over throttle body as shown.



Refer to Figure I for steps 18-22

- Step 18. Slide tube into hump coupling ①.
- Step 19. Slip #72 band clamp over tube and slide tube over the adaptor coupling ②.
- Step 20. Reconnect MAF sensor harness.
- Step 21. Make sure all connections are secure and all clamps are tight.
- Step 22. Re-install the engine cover. Your installation is now complete.

**NOTE: Retighten all connections after approximately 100-200 miles.
Place enclosed CARB EO sticker on or near the device on a smooth, clean surface.
EO identification label is required to pass the smog inspection.**



Page left blank intentionally



Air Filter



PRO 5R P/N: 24-91079
PRO DRY S P/N: 21-91079
PRO GUARD 7 P/N: 72-91079

Pre-Filter



P/N: 28-10273

Blue Aerosol Restore Kit



P/N: 90-50001

Blue Squeeze Restore Kit



P/N: 90-50501

Blue Squeeze Restore Kit



P/N: 90-50501

aFe Key Chain



P/N: 40-10149

aFe Power Hat



P/N: 40-10083

aFe Power Backpack



P/N: 40-33203

To purchase any of the items above, view airflow charts, dynographs, photos, and video; please go to aFepower.com.

Warranty

General Terms:

- aFe warrants their products to be free from manufacturer's defects due to workmanship and material.
- This warranty applies only to the original purchaser of the product and is non-transferrable.
- Proof of purchase of the aFe product is required for all warranty claims.
- Warranty is valid provided aFe instructions for installation and/or cleaning were properly followed.
- Proper maintenance with regular inspections of product is required to insure warranty coverage.
- Damage due to improper installation, abuse, unauthorized repair or alteration is not warranted.
- Incidental or consequential damages or cost, including installation and removal of part, incurred due to failure of aFe product is not covered under this warranty.
- All warranty is limited to the repair and/or replacement of the aFe part. To request Return Goods Authorization ("RGA"), email RGA@afepower.com or call (951)493-7100. Upon receipt of the RGA, you must return the product to the address provided in the RGA, freight prepaid and accompanied with a dated proof of purchase and the RGA. Upon receipt of the defective product and upon verification of proof of purchase, aFe will either repair or replace the defective product within a reasonable time, not to exceed thirty days.

Product Category	P/N Prefix	Warranty duration
Direct OE Replacement Filters	10, 11, 30, 31, 71, 73	Life of the vehicle
Racing Filters	18	1 year
Universal	21, 24, 72	2 years
Air Intake Systems	50, 51, 54, 55, 75	2 years
Exhaust Systems	49	2 years
Intercoolers & Intercooler Tubes	46-2	2 years
Intake Manifolds	46-1	2 years
Differential Cover	46-7	Life of the vehicle
Exhaust Manifolds	46	2 years
Throttle Body Spacers	46-3	2 years
Fluid Filters	44	90 days
Pre-Filters	28	2 years
Heavy Duty OE Replacement	70	2 years
PowerSports OE Replacement	81, 87	2 years
PowerSports Intake Systems	85	2 years

No other warranty expressed or implied applies nor is any person or advanced FLOW engineering authorized to assume any other warranty. Some States do not allow the exclusion or limitation of incidental or consequential damages or do not allow limitations on how long an implied warranty lasts, so the above limitations or exclusions may not apply to you. This warranty gives you specific legal rights, and you may also have other rights which vary from State to State.



advanced FLOW engineering, inc.
252 Granite Street Corona, CA 92879
TEL: 951.493.7100 • TECH: 951.493.7100 x23
E-Mail:Tech@aFepower.com