

advanced FLOW engineering Stage-2 Air Intake

Instruction Manual P/N: 51-12802 / 54-12802

Make: **Dodge** Model: **Challenger SRT Hellcat/Charger SRT Hellcat** Year: **15-16**
Engine: **V8-6.2L (sc) HEMI**



- Please read the entire instruction manual before proceeding.
- Ensure all components listed are present.
- If you are missing any of the components, call customer support at 951-493-7100.
- Ensure you have all necessary tools before proceeding.
- Do not attempt to work on your vehicle when the engine is hot.
- Disconnect the negative battery terminal before proceeding.
- Retain factory parts for future use.

Label	Qty.	Description	Part Number
A1	1	Pro DRY S Air Filter	21-91068 (Gray Media)
A2	1	Pro 5R Air Filter	24-91068 (Blue Media)
B	1	Housing	05-12802B2
C	1	Tube	05-12802B1
D	1	Male/Female Isolation Mount	03-50206
E	3	Washer, Lock	03-50071
F	3	Screw Hex	03-50052
G	3	Washer, Flat	03-50070
H	1	Clamp, T-Bolt (4-1/8" - 4-1/2")	03-50262
I	1	Clamp, T-Bolt (4-7/16" - 4-3/4")	03-50319
J	1	Isolation Pad	03-50196
K	1	Pre-Filter	28-10243
L	1	Coupling, Silicone	05-01352
M	2	Screw, Slotted	03-50221
N	1	Trim, Rubber Edge (12")	05-00149
O	1	Seal, Trim (25")	05-00072
P	1	Seal, Trim (16.5")	05-00072

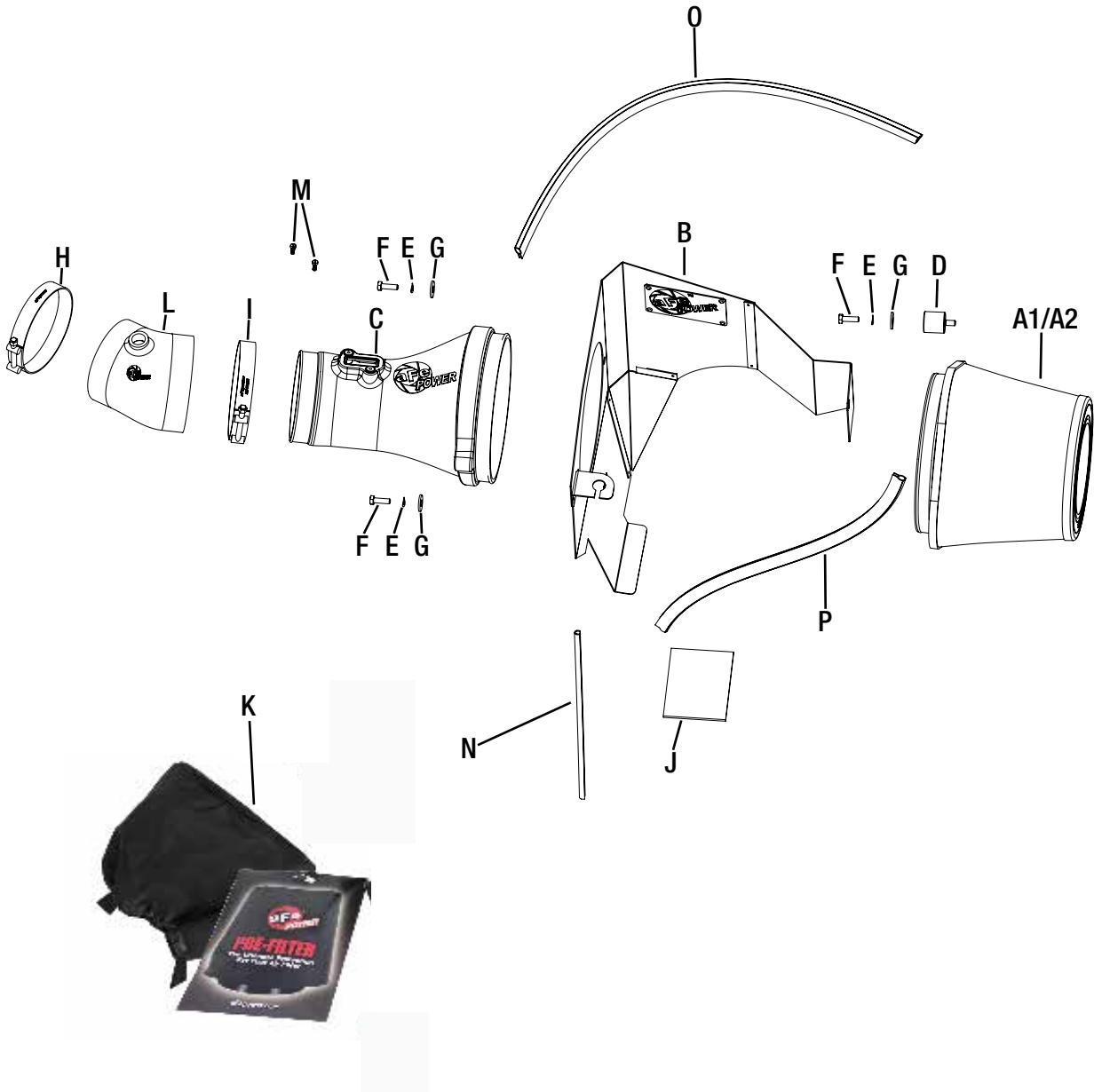




Figure A

Refer to Figure A for Steps 1-4

Step 1: Disconnect MAF sensor and breather fitting

Step 2: remove bolt securing the housing.

Step 3: Untighten clamp at the throttle body

Step 4: For challenger vehicle, pull the housing assembly as one piece outside of the vehicle.



Figure B

Refer to Figure B for Step 5

Step 5: For charger, open the housing and remove the factory filter. Then disconnect the inlet duct and pull the bottom part of the housing outside of the vehicle. (The inlet duct is not removable)



Refer to Figure C for Steps 6-7

Step 6: Remove the 10 mm bolt from the fender side and install the furnished isolation mount in the hole.

Step 7: Remove the factory grommet from the hole.



Figure D

Refer to Figure D for Steps 8-10

Step 8: Transfer the grommet from the factory air box to the aFe housing.

Step 9: Install the furnished seal trim onto the outer edge of the aFe housing and install foam pad where housing rests.

Step 10: install the aFe housing into the vehicle and secure it with the factory screw and the furnished screw, washer and lock washer onto the isolation mount.



Figure E

Refer to Figure E for Step 11

Step 11: Remove the MAF sensor from factory housing and install on aFe tube. Secure it with the provided M4 screws.



Figure F

Refer to Figure F for Steps 12-14

Step 12: Install the coupling and clamps over the throttle body. Do not tighten yet.

Step 13: Slide the tube through the housing then into the coupling.

Step 14: Align the coupling, tube and housing, then secure the tube to the housing using the furnished screws, washers and lock washers.


Figure G

Refer to Figure G for Steps 15-18

Step 15: Tighten the clamps on the coupling.

Step 16: Reconnect the breather fitting by pushing it firmly into the coupling

Step 17: Reconnect the MAF sensor harness.

Step 18: Install the filter onto the tube and tighten the clamp. A pre-filter is included in each kit to protect from water if necessary. Also a rain shield is available and sold separately to protect the filter from water coming down the hood opening.

NOTE: Place enclosed CARB EO sticker on a smooth/clean surface on or near the air intake system. EO identification label is required to pass the smog check inspection.

Page left blank intentionally



Page left blank intentionally

Page left blank intentionally



Pro DRY S Air Filter



P/N: 21-91068

Pro 5R Air Filter



P/N: 24-91068

Pro DRY S Restore Kit



P/N: 90-59999

Blue Squeeze Restore Kit



P/N: 90-50501

Sprint Booster



P/N: 77-12001 (M/T)
77-12002 (A/T)

aFe T-Shirt



P/N: 40-30382 (M)
40-30383 (L)
40-30384 (XL)
40-30385 (2XL)

Flashlight



P/N: 40-10131 (S)
40-10150 (L)

aFe Gloves



P/N: 40-10148 (M)
40-10149 (L)

To purchase any of the items above, view airflow charts, dyno graphs, photos, and video; please go to aFepower.com.

Warranty

General Terms:

- aFe warrants their products to be free from manufacturer's defects due to workmanship and material.
- This warranty applies only to the original purchaser of the product and is non-transferrable.
- Proof of purchase of the aFe product is required for all warranty claims.
- Warranty is valid provided aFe instructions for installation and/or cleaning were properly followed.
- Proper maintenance with regular inspections of product is required to insure warranty coverage.
- Damage due to improper installation, abuse, unauthorized repair or alteration is not warranted.
- Incidental or consequential damages or cost, including installation and removal of part, incurred due to failure of aFe product is not covered under this warranty.
- All warranty is limited to the repair and/or replacement of the aFe part. To request Return Goods Authorization ("RGA"), email RGA@afepower.com or call (951)493-7100. Upon receipt of the RGA, you must return the product to the address provided in the RGA, freight prepaid and accompanied with a dated proof of purchase and the RGA. Upon receipt of the defective product and upon verification of proof of purchase, aFe will either repair or replace the defective product within a reasonable time, not to exceed thirty days.

Product Category	P/N Prefix	Warranty duration
Direct OE Replacement Filters	10, 11, 30, 31, 71, 73	Life of the vehicle
Racing Filters	18	1 year
Universal	21, 24, 72	2 years
Air Intake Systems	50, 51, 54, 55, 75	2 years
Exhaust Systems	49	2 years
Intercoolers & Intercooler Tubes	46-2	2 years
Intake Manifolds	46-1	2 years
Differential Cover	46-7	Life of the vehicle
Exhaust Manifolds	46	2 years
Throttle Body Spacers	46-3	2 years
Fluid Filters	44	90 days
Pre-Filters	28	2 years
Heavy Duty OE Replacement	70	2 years
PowerSports OE Replacement	81, 87	2 years
PowerSports Intake Systems	85	2 years

No other warranty expressed or implied applies nor is any person or advanced FLOW engineering authorized to assume any other warranty. Some States do not allow the exclusion or limitation of incidental or consequential damages or do not allow limitations on how long an implied warranty lasts, so the above limitations or exclusions may not apply to you. This warranty gives you specific legal rights, and you may also have other rights which vary from State to State.



advanced FLOW engineering, inc.
252 Granite Street Corona, CA 92879
TEL: 951.493.7155 • TECH: 951.493.7100
E-Mail: Tech@aFepower.com