

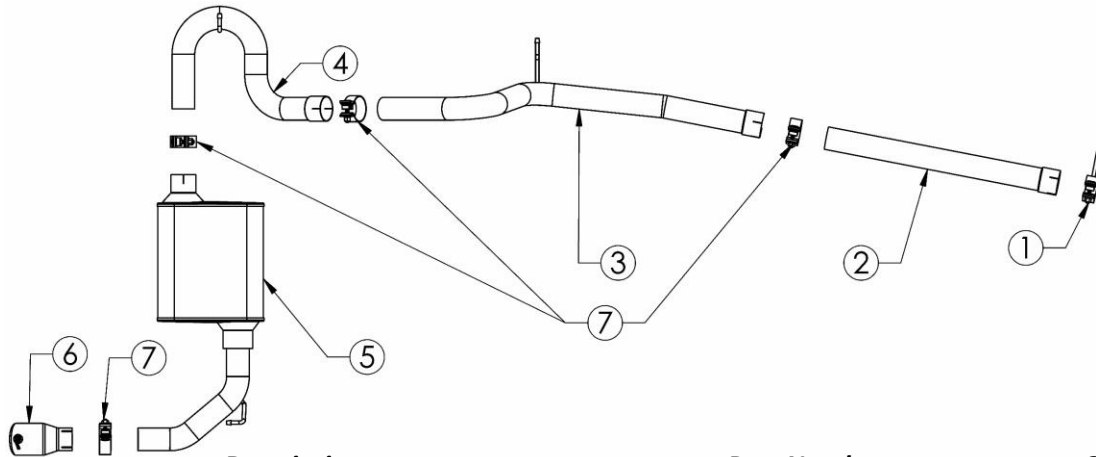


INSTALLATION INSTRUCTIONS

MAKE: Jeep
MODEL: Wrangler (JK)
YEAR: 2007-2018
ENGINE: V6-3.6L/3.8L (4 Door)

Cat-Back Exhaust
 Aluminized Steel
 49-08044-1P

NOTE: Fits 4 Door Model Only



Item	Description	Part Number	Quantity
1	Clamp Hanger #42 (2.5")	05-41525	1
2	Rear Mid Pipe: 2.5"Dia x 34"L AS	05-142162	1
3	Rear Mid Pipe: 2.5"Dia x 47.5"L	05-142163	1
4	Muffler Inlet: 2.5"Dia x 36"L	05-42929	1
5	Tail Pipe	05-42932	1
6	EXH Tip 2.5 In x (3.25 x 2.85) Out x 5.7 L	R49T25304-P06	1
7	Clamp, Band: 2-1/2"	05-41061	4

aFe POWER recommends professional installation on this product. Thoroughly inspect the aFe POWER exhaust system to make sure there is no damage from shipping (if damage is noted, immediately contact aFe POWER customer service). Allow time for your vehicle to cool down prior to installation. When working on your vehicle proceed with caution. Wear protective safety equipment; eye goggles and gloves to ensure a safe installation.

Install band clamps to proper torque specifications of 40-45 ft-lb.

Install V-band clamps with anti-seize lubricant and hand tighten only to torque specifications of 10-15 ft-lb.

- (Read instructions prior to installation.)** It is recommended to not fully tighten the exhaust until it has been fully installed. Leave loose for adjustability.
- Secure vehicle on jack stands (refer to your manual for specified jack stand positions).
- For faster installation, spread out the parts of the exhaust alongside your vehicle as shown in the diagram above.
- Secure the stock exhaust with jack/stands.
- Loosen the band clamp securing the OE muffler to the mid pipe.
- Remove the muffler off the rubber hanger mounts and then slide off the mid pipe.
- Loosen the band clamp securing the OE mid pipe to the y-pipe
- Remove the OE mid pipe off the rubber hangers and then slide off the y-pipe.
- Slide the aFe Power Clamp Hanger into the aFe Power Rear Mid Pipe 34" (The hanger rod should face the bottom and point left), (x1) supplied 2.5" band clamp and install onto the y-pipe and rubber hanger mount. Do not tighten the band clamp or aFe Power Clamp Hanger.
- Using (x1) supplied 2.5" band clamp, install the aFe Power Rear Mid Pipe 47.5" onto the aFe Power Rear Mid Pipe 34" and rubber hanger mount but do not tighten.
- Using (x1) supplied 2.5" band clamp, install the aFe Muffler Inlet Pipe onto the aFe Power Rear Mid Pipe 47.5" and rubber hanger mount but do not tighten.
- Using (x1) supplied 2.5" band clamp, install the aFe Tail Pipe onto the aFe Power Muffler Inlet Pipe and rubber hanger mount but do not tighten.



INSTALLATION INSTRUCTIONS

MAKE: Jeep
MODEL: Wrangler (JK)
YEAR: 2007-2018
ENGINE: V6-3.6L/3.8L (4 Door)

Cat-Back Exhaust
Aluminized Steel
49-08044-1P

NOTE: Fits 4 Door Model Only

-
13. Using (x1) supplied 2.5" band clamp, install aFe Power clamp onto aFe Power exhaust tip but do not tighten.
 14. Ensure that all the components of the aFe POWER exhaust system are aligned and are at a safe clearance from all wires, hoses, brake lines, body parts, and tires.
 15. Start from the front of the aFe exhaust system and evenly tighten all clamps and fasteners.
 16. Start the vehicle and check for any leaks. If any leaks are found, determine cause and repair as necessary.
 17. Remove vehicle from jacks stands.
 18. It is recommended to re-tighten all clamps and hardware after 50-100 miles.