



INSTALLATION INSTRUCTIONS

MAKE: Dodge

MODEL: Challenger SRT Hellcat / SRT Demon/ SRT Redeye

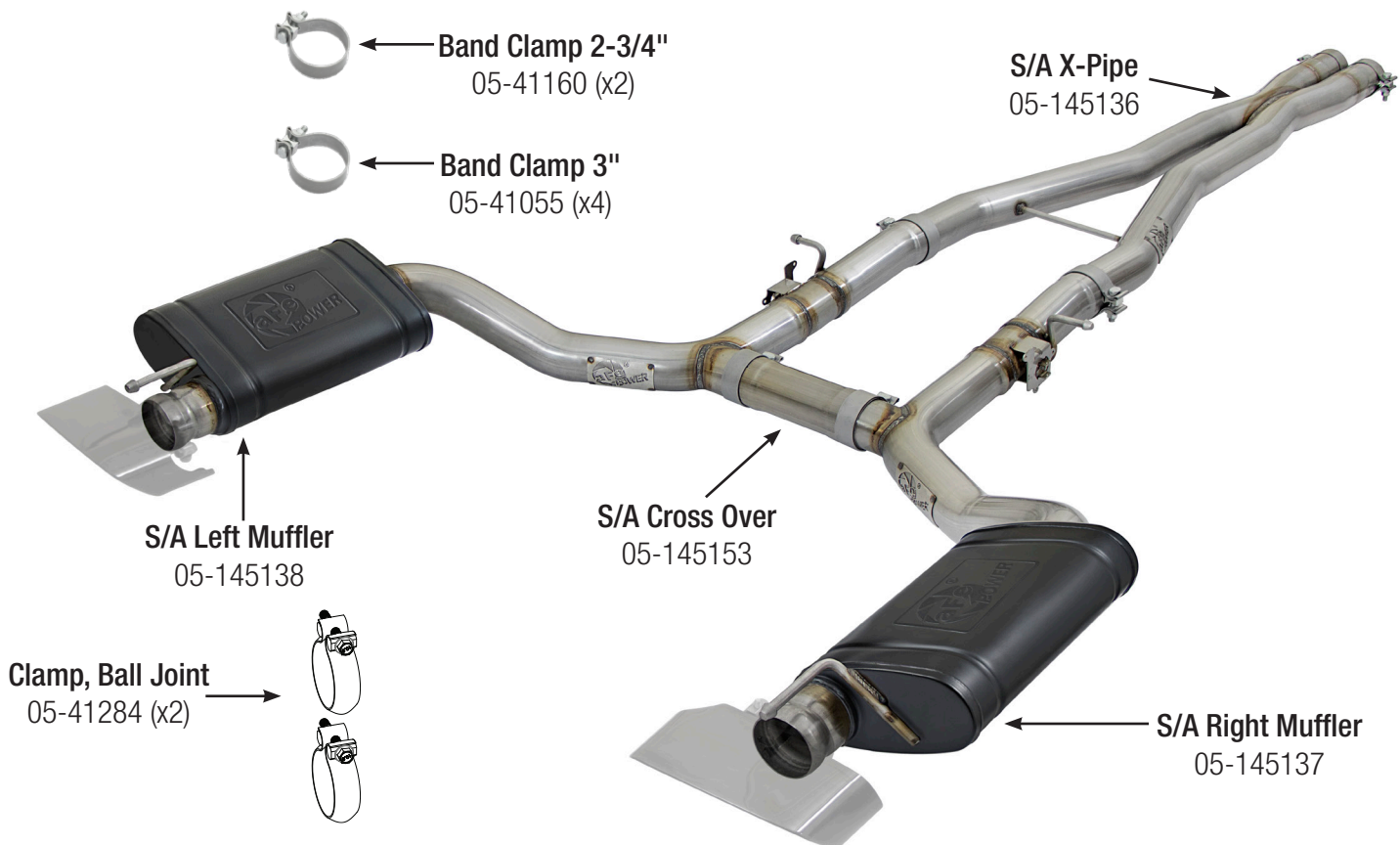
YEAR: 2015-2021

ENGINE: V8-6.2L (sc) HEMI

NOTE: Demon/ Redeye requires fender bracket (P/N: 49-82010)

**304 Stainless Steel
Cat-Back**

49-32053



CAUTION: Allow time for your vehicle to cool down prior to installation. When working on or under your vehicle proceed with caution. Exhaust systems reach high temperatures and may cause serious burns. Wear protective safety equipment; eye goggles and gloves to ensure a safe installation. aFe recommends professional installation on our products.

Step 1: (Read Instructions prior to installation) Secure vehicle on jack stands (refer to your owner's manual for specified jack stand locations).

Step 2: Disconnect the factory ground strap from the muffler hanger on the rear of the OE exhaust system.

Step 3: Remove the Right and Left exhaust tips from the OE mufflers.

Step 4: Unplug the wire harness from the right and left exhaust valves actuators.

Step 5: Loosen the band clamps on the OE exhaust system to the mid pipes.

Step 6: Remove the rubber isolation mount brackets from the chassis and remove the OE exhaust system.

Step 7: Remove the exhaust valves actuators from the OE exhaust and install them on the aFe POWER right and left aFe POWER mufflers using the supplied hardware see Fig 1. (make sure you mark the exhaust valves actuators right and left to reinstall them on the correct side).

Step 8: Slide the 3" band clamps on the aFe POWER mid pipe inlets and install the mid pipe onto the OE mid pipes, do not tighten the clamps.

Step 9: Remove the rubber isolation mounts and reinstall onto the aFe power right and left mufflers.

Step 10: Slide the 3" band clamps onto the right and left aFe power muffler inlets, slide the 3" band clamps onto the end of the crossover tube and slide onto the aFe power mufflers, do not tighten.

Step 11: Install the aFe power mufflers on to the aFe power mid pipe do not tighten.

Step 12: Install the right and left factory tips.

(Continue Page 2)



INSTALLATION INSTRUCTIONS

MAKE: Dodge

MODEL: Challenger SRT Hellcat / SRT Demon/ SRT Redeye

YEAR: 2015-2021

ENGINE: V8-6.2L (sc) HEMI

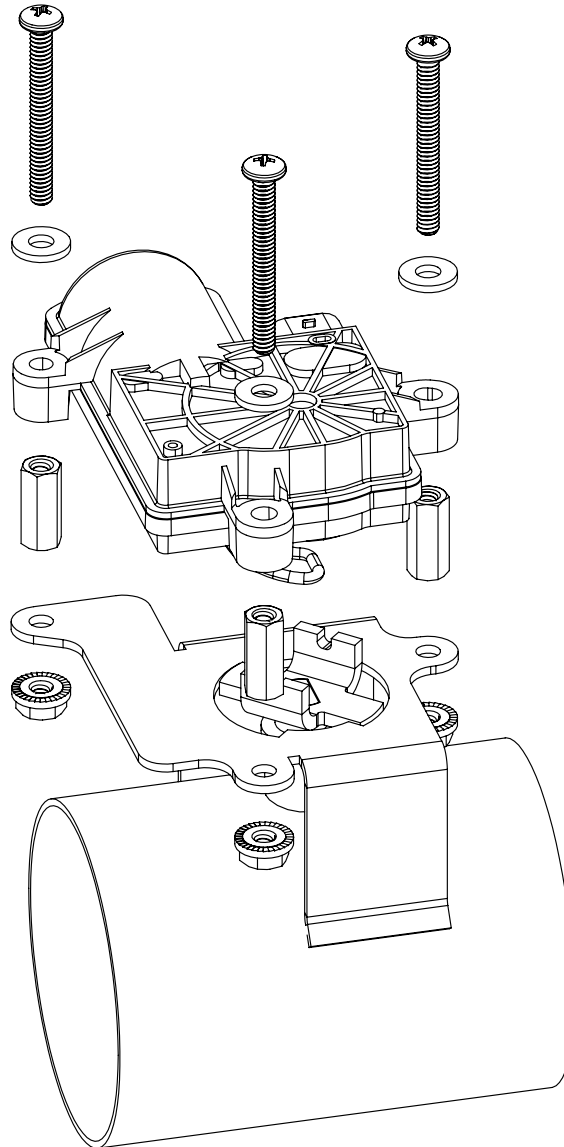
NOTE: Demon/ Redeye requires fender bracket (P/N: 49-82010)

**304 Stainless Steel
Cat-Back**

49-32053

CAUTION: Allow time for your vehicle to cool down prior to installation. When working on or under your vehicle proceed with caution. Exhaust systems reach high temperatures and may cause serious burns. Wear protective safety equipment; eye goggles and gloves to ensure a safe installation. aFe recommends professional installation on our products.

Figure 1.



aFe Power Exhaust Install

Step 13: Once position of the aFe power exhaust system has been determined for proper alignment clearance tight all muffler clamps.

Step 14: Reinstall the wire harness on the right and left exhaust valves actuators.

Step 15: Double check all work and ensure everything is tight. Make sure to check all wires, hoses, brake lines, body parts and tires have clearance from the exhaust system.

Step 16: Reconnect the battery.

Step 17: Start the vehicle and check for leaks. Make sure to double check your work.

Step 18: Remove the vehicle from the jack stands.

Step 19: Your installation is now complete!

Step 20: It is recommended to re-tighten all clamps and bolts after 50-100 miles.