



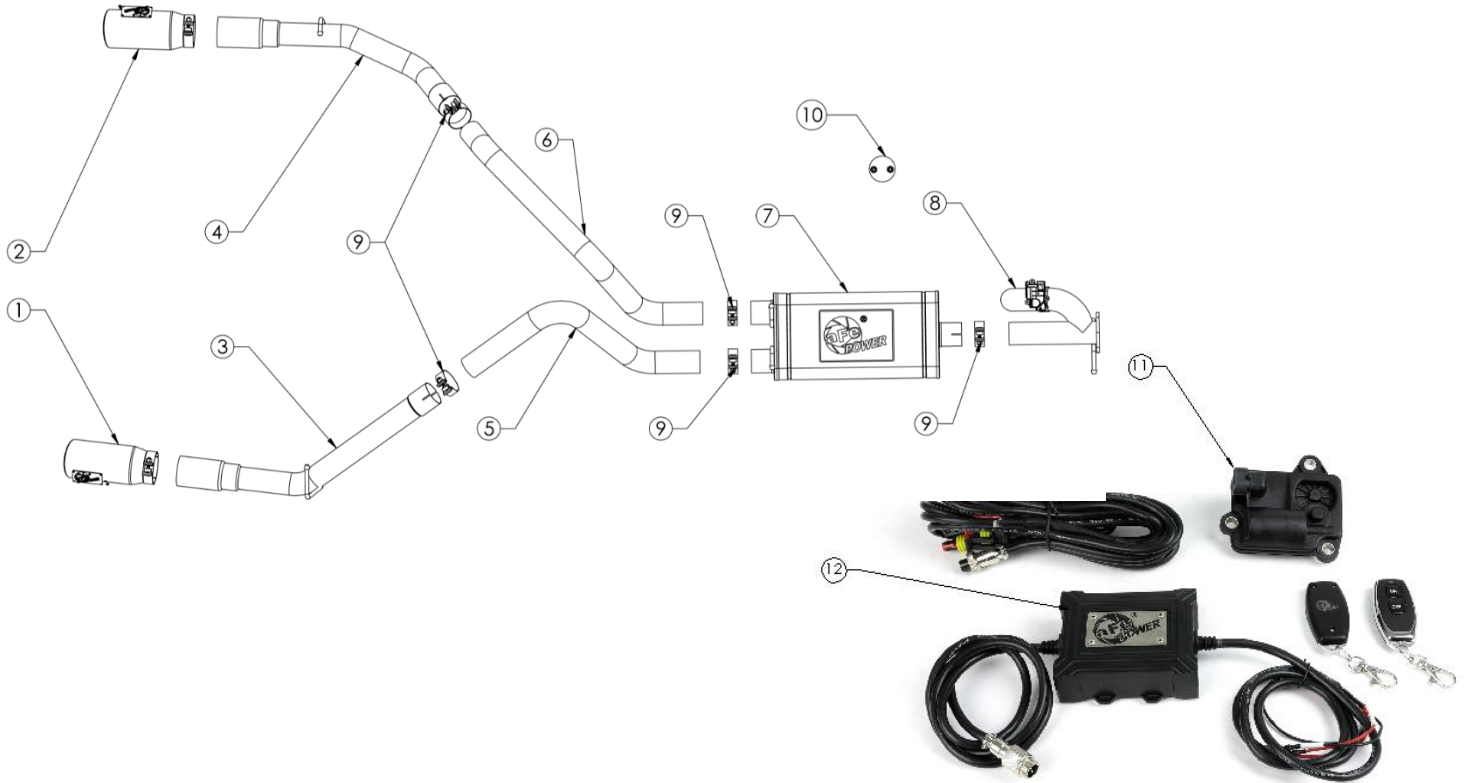
# INSTALLATION INSTRUCTIONS

Cat-Back Exhaust

MAKE: RAM  
 MODEL: 1500  
 YEAR: 19-21  
 ENGINE: V8-5.7L

49-32081-B  
 49-32081-P

NOTE: Fits 140.5", 144.6", and 153.5" Wheelbases



Item	Description	Part Number	Quantity
1	EXH Tip 4 In x 5 Out, 12L Black	49T40501-B12	1
1	EXH Tip 4 In x 5 Out, 12L Polished	49T40501-P12	1
2	EXH Tip 4 In x 5 Out, 12L Black	49T40502-B12	1
2	EXH Tip 4 In x 5 Out, 12L Polished	49T40502-P12	1
3	S/A Tube, Tail-Pipe PS: 3" to 4" SS304	05-145457	1
4	S/A Tube, Tail-Pipe DS: 3" to 4" SS304	05-145456	1
5	Tube, Over-Axle PS: 3" Dia x 36"L SS304	05-145455	1
6	Tube, Over Axle DS: 3" Dia x 66"L SS304	05-145454	1
7	S/A Muffler Assembly	05-144453	1
8	S/A Tube, Cutout: 3" Dia x 12"L SS304	05-245077	1
9	Clamp, Band: 3"	05-41055	5
10	Nut, Flg M10 x 1.5	03-50189	2
11	Motor, Exhaust Valve: 12 Volt	05-70042	1
12	Controller, Exhaust Valve: Extended Wire Leads	05-70043	1

aFe POWER recommends professional installation on this product. Thoroughly inspect the aFe POWER exhaust system to make sure there is no damage from shipping (if damage is noted, immediately contact aFe POWER customer service). Allow time for your vehicle to cool down prior to installation. When working on your vehicle proceed with caution. Wear protective safety equipment; eye goggles and gloves to ensure a safe installation.

Install band clamps to proper torque specifications of 40-45 ft-lb.



## INSTALLATION INSTRUCTIONS

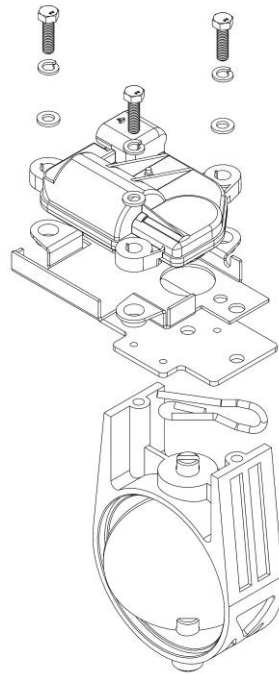
Cat-Back Exhaust

MAKE: RAM  
MODEL: 1500  
YEAR: 19-21  
ENGINE: V8-5.7L

49-32081-B  
49-32081-P

**NOTE: Fits 140.5", 144.6", and 153.5" Wheelbases**

1. **(Read instructions prior to installation.)** It is recommended to not fully tighten the exhaust until it has been fully installed. Leave loose for adjustability.
  2. Secure vehicle on jack stands (refer to your manual for specified jack stand positions).
  3. For faster installation, spread out the parts of the exhaust alongside your vehicle as shown in the diagram above.
  4. Secure the stock exhaust with jack/stands.
  5. Remove OE exhaust.
  6. Remove the OE gasket from the OE exhaust flange and then install the EXH Cutout assembly using the (x2) provided nuts, OE bolts and OE gasket.
- 
7. Install the provided (x1) motor to the valve motor mount using the provided (x3) bolts and spring clip.



- 
8. Install the (x3) 3" band clamps onto the muffler assembly and slip onto the exhaust cutout assembly and the OE isolation mounts.
  9. Install both the driver and passenger side over axle pipes.
  10. Install both the driver and passenger tail pipes using the provided 3" band clamps and OE isolation mounts.
  11. Install both the exhaust tips to the desired position.



## INSTALLATION INSTRUCTIONS

Cat-Back Exhaust

MAKE: RAM  
MODEL: 1500  
YEAR: 19-21  
ENGINE: V8-5.7L

49-32081-B  
49-32081-P

**NOTE: Fits 140.5", 144.6", and 153.5" Wheelbases**

12. Connect the wire harness to the motor on the Exhaust cutout assembly. Run the remaining wire harness inside the frame alongside the existing wire harness towards the engine compartment and exit behind the front passenger tire as shown in **FIG 2 & FIG 3**. Secure using the provided zip ties.



13. In the engine compartment zip tie the control box along the wire harness on the passenger side of the vehicle. Run the wire ring terminals in the wire harness crossing the fire wall to the battery and run the rest of the wire down the back of the firewall to meet the rest of the wire harness. Use the provided zip ties to secure the wire. **(You will need to use the provided wire extensions.) Refer to FIG 4 & FIG 5.**



14. Ensure that all the components of the aFe POWER exhaust system are aligned and are at a safe clearance from all wires, hoses, brake lines, body parts, and tires.
15. Start from the front of the aFe POWER exhaust system and evenly tighten all clamps and fasteners.
16. Start the vehicle and check for any leaks. If any leaks are found, determine cause and repair as necessary.
17. Remove vehicle from jacks stands.
18. It is recommended to re-tighten all clamps and hardware after 50-100 miles.