

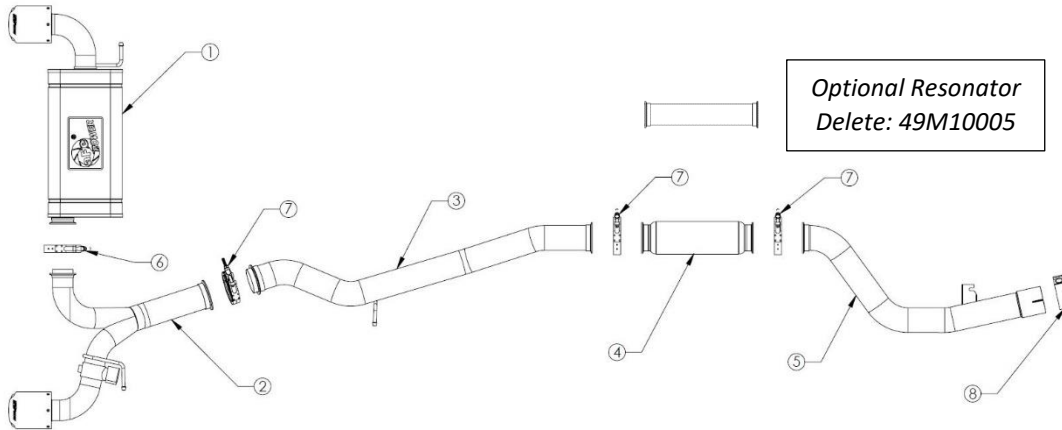


INSTALLATION INSTRUCTIONS

Cat-Back Exhaust

MAKE: Toyota
 MODEL: Supra
 YEAR: 2020-2021
 ENGINE: L6-3.0L (t)

49-36043-B
 49-36043-C
 49-36043-L
 49-36043-P

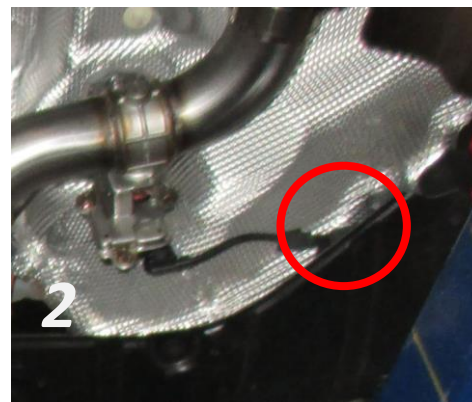


Item	Description	Part Number	Quantity
1	Muffler Assembly – Black Tip	05-145824B	1
1	Muffler Assembly – Carbon Fiber Tip	05-145824C	1
1	Muffler Assembly – Blue Flame Tip	05-145824L	1
1	Muffler Assembly – Polished Tip	05-145824P	1
2	Y-Pipe Assembly – Black Tip	05-145823B	1
2	Y-Pipe Assembly – Carbon Fiber Tip	05-145823C	1
2	Y-Pipe Assembly – Blue Flame Tip	05-145823L	1
2	Y-Pipe Assembly – Polished Tip	05-145823P	1
3	Mid-Pipe Assembly	05-145822	1
4	Resonator Assembly	05-145821	1
5	Front Pipe Assembly	05-145820	1
6	Clamp, V-Band 2-1/2"	05-410196	1
7	Clamp, V-Band 3"	05-41588	3
8	Clamp, 80mm	05-410273	1

aFe POWER recommends professional installation on this product. Thoroughly inspect the aFe POWER exhaust system to make sure there is no damage from shipping (if damage is noted, immediately contact aFe POWER customer service). Allow time for your vehicle to cool down prior to installation. When working on your vehicle proceed with caution. Wear protective safety equipment; eye goggles and gloves to ensure a safe installation.

Install band clamps to proper torque specifications of 40-45 ft-lb.

Install V-band clamps with anti-seize lubricant and hand tighten only to torque specifications of 10-15 ft-lb.





INSTALLATION INSTRUCTIONS

MAKE: Toyota
MODEL: Supra
YEAR: 2020-2021
ENGINE: L6-3.0L (t)

Cat-Back Exhaust

49-36043-B
49-36043-C
49-36043-L
49-36043-P

1. **(Read instructions prior to installation.)** It is recommended to not fully tighten the exhaust until it has been fully installed. Leave loose for adjustability.
2. Secure vehicle on jack stands (refer to your manual for specified jack stand positions).
3. For faster installation, spread out the parts of the exhaust alongside your vehicle as shown in the diagram above.
4. Secure the stock exhaust with jack/stands.
5. Remove crossmember, retain hardware.
6. Unplug the connector at the exhaust valve
7. Loosen the clamp connecting the down pipe to the exhaust system.
8. Remove the nut connecting the exhaust to the front exhaust hanger.
9. Un-Bolt the remaining three rubber hanger mounts from the chassis and remove the OE exhaust system.
10. Unplug the "Christmas tree" strain relief securing the exhaust valve wiring to the chassis. (see reference image 2)
11. Remove the exhaust valve motor from the OE exhaust and install on to the TAKEDA exhaust using the OE hardware.
12. Transfer the exhaust hangers from the OE Exhaust onto the TAKEDA exhaust.
13. Slide the 80mm clamp over the TAKEDA front pipe and then install it onto the OEM downpipe. Snug the 80mm clamp. Install the nut removed in step 8, and snug, but to not fully tighten
14. Install the Resonator and Mid-Pipe assembly onto the TAKEDA Exhaust using the supplied V-Band clamps. Install the exhaust hanger onto the chassis using the OE hardware.
15. Using the 2-1/2" V-Band Clamp, clamp the Y-Pipe Assembly to the Muffler Assembly, Line up exhaust tips so they are flat and square to each-other.
16. Install the Y-Pipe/Muffler combo onto the TAKEDA Exhaust system using the supplied V-Band clamp and install the exhaust hangers onto the chassis using the OE hardware.
17. Install the crossmember using the OE hardware.
18. Plug the connector into the exhaust valve.
19. Loosen the two clamps securing the resonator to the exhaust system and rotate the resonator to align the exhaust tips in the bumper cutout.
20. Ensure that all the components of the TAKEDA exhaust system are at a safe clearance from all wires, hoses, brake lines, body parts, and tires.
21. Start from the front of the TAKEDA exhaust system and evenly tighten all clamps and fasteners.
22. Start the vehicle and check for any leaks. If any leaks are found, determine cause and repair as necessary.
23. Remove vehicle from jacks stands.
24. It is recommended to re-tighten all clamps and hardware after 50-100 miles.