

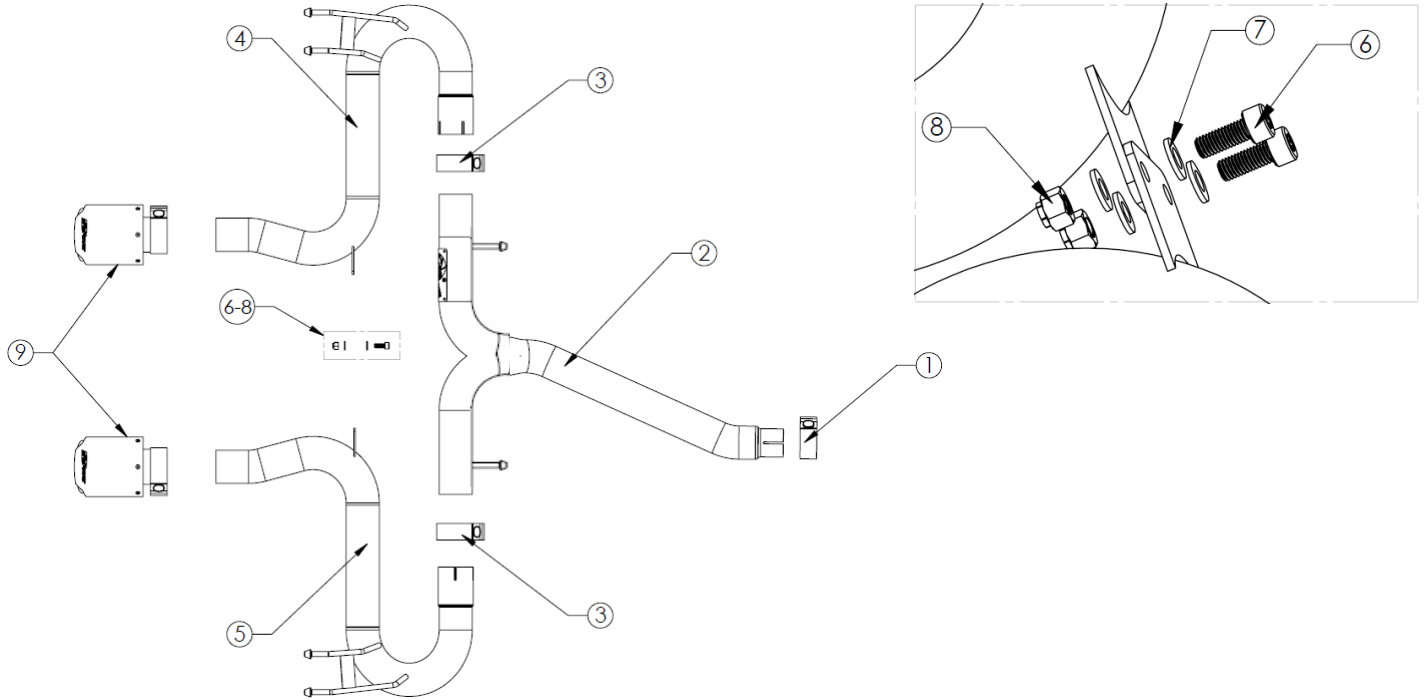


INSTALLATION INSTRUCTIONS

MAKE: Honda
MODEL: Civic Sport Hatchback
YEAR: 2017-2021
ENGINE: I4-1.5L (t)

Axle-Back Exhaust

49-36625-P
 49-36625-B
 49-36625-L
 49-36625-C



Item	Description	Part Number	Quantity
1	Clamp, Band 2"	05-41235	1
2	Y-pipe Assembly	05-145863	1
3	Clamp, Band 2-1/2"	05-41061	2
4	Driver Side Tailpipe Assembly	05-145864	1
5	Passenger Side Tailpipe Assembly	05-145865	1
6	M8 x 1.25 x 20 Socket Head Cap Screw	03-50341	2
7	Washer, Flat M8, 16mm OD	03-50159	4
8	M8 x 1.25 Hex Nut	05-46057	2
9	Clamp-on Polished Tip	49T25454-P07	2
	Clamp-on Black Tip	49T25454-B07	
	Clamp-on Blue Flame Tip	49T25454-L07	
	Clamp-on Carbon Fiber Tip	49T25454-C07	

aFe POWER recommends professional installation on this product. Thoroughly inspect the aFe POWER exhaust system to make sure there is no damage from shipping (if damage is noted, immediately contact aFe POWER customer service). Allow time for your vehicle to cool down prior to installation. When working on your vehicle proceed with caution. Wear protective safety equipment; eye goggles and gloves to ensure a safe installation.

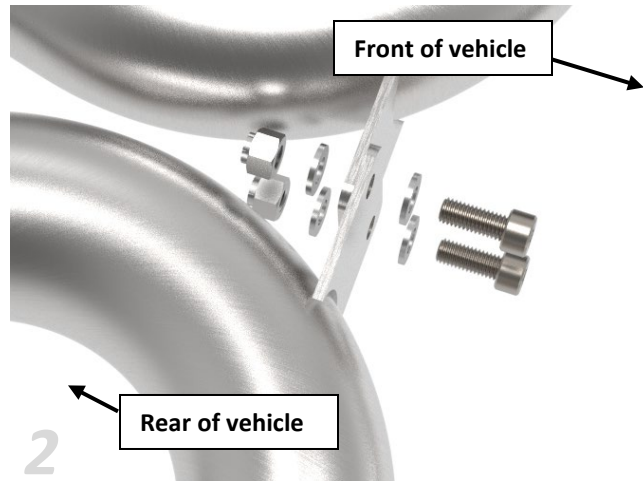
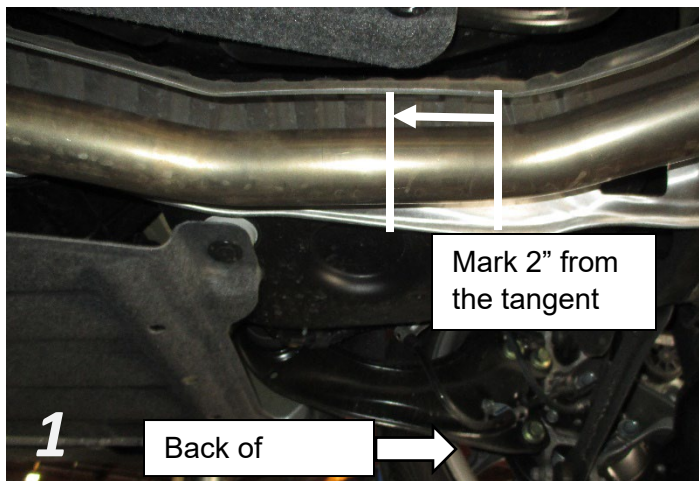
Install band clamps to proper torque specifications of 40-45 ft-lb.

INSTALLATION INSTRUCTIONS

MAKE: Honda
MODEL: Civic Sport Hatchback
YEAR: 2017-2021
ENGINE: I4-1.5L (t)

Axle-Back Exhaust

49-36625-P
 49-36625-B
 49-36625-L
 49-36625-C



1. **(Read instructions prior to installation.)** It is recommended to not fully tighten the exhaust until it has been fully installed. Leave loose for adjustability.
2. Secure vehicle on jack stands (refer to your manual for specified jack stand positions).
3. For faster installation, spread out the parts of the exhaust alongside your vehicle as shown in the diagram above.
4. Secure the stock exhaust with jack/stands.
5. Disconnect the negative battery terminal.
6. Mark the stock exhaust 2" behind tangent as shown in **reference image 1**.
7. Remove the (x4) bolts securing the brace to the vehicle and remove brace.
8. Remove the (x3) nuts securing the stock exhaust to the front pipe.
9. Remove the rubber isolation hanger mounts off the chassis and remove the stock exhaust.
10. Transfer (x4) muffler section rubber isolation mounts to the TAKEDA Axle-Back exhaust system.
11. Cut the stock exhaust at mark created from step 6. Deburr edges once cut.
12. Using the (x1) supplied 2" band clamp, install the Y-pipe Assembly onto cut section of the stock exhaust and install hangers to chassis using rubber isolation mounts.
13. Using the (x1) supplied 2.5" band clamp, install the Passenger Side Tailpipe Assembly onto the Y-pipe Assembly and install hangers to chassis using rubber isolation mounts.
14. Using the (x1) supplied 2.5" band clamp, install the Driver Side Tailpipe Assembly onto the Y-pipe Assembly and install hangers to chassis using rubber isolation mounts.
15. Align the brackets on the Tailpipe Assemblies so that the Passenger Side Tailpipe Assembly bracket is positioned in front of the Driver Side Tailpipe Assembly bracket. Attach using the supplied (2) nuts, (4) washers, and (x2) bolts, but do not tighten at this time. **(See reference image 2)**
16. Install the driver and passenger side Clamp-on Tips onto both Tailpipe Assemblies using supplied band clamps.
17. Reinstall brace with (x4) OE bolts.
18. Ensure that all the components of the TAKEDA exhaust system are aligned and are at a safe clearance from all wires, hoses, brake lines, body parts, and tires.
19. Start from the front of the TAKEDA exhaust system and evenly tighten all clamps and fasteners.
20. Reconnect the battery.
21. Start the vehicle and check for any leaks. If any leaks are found, determine cause and repair as necessary.
22. Remove vehicle from jacks stands.
23. It is recommended to re-tighten all clamps and hardware after 50-100 miles.