

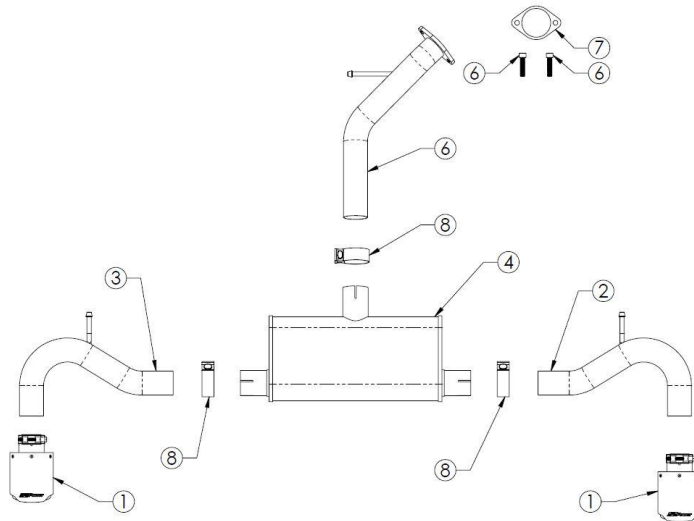


INSTALLATION INSTRUCTIONS

Axle-Back Exhaust

MAKE: Hyundai
MODEL: Elantra GT
YEAR: 2018-2020
ENGINE: I4-1.6L (t)

49-47016-B
 49-47016-C
 49-47016-L
 49-47016-P



Item	Description	Part Number	Quantity
1	EXH Tip 2-1/2 In x 4-1/2 Out x 7L Bolt-On Blk	49T25454-B09	2
1	EXH Tip 2-1/2 In x 4-1/2 Out x 7L Bolt-On Pol	49T25454-P07	2
1	EXH Tip 2-1/2 In x 4-1/2 Out x 7L Bolt-On Blue	49T25454-L07	2
1	EXH Tip 2-1/2 In x 4-1/2 Out x 7L Bolt-On CF	49T25454-C07	2
2	S/A Tube, Tail Pipe, Right	05-144942	1
3	S/A Tube, Tail Pipe, Left	05-144941	1
4	S/A Muffler Assembly	05-144940	1
5	S/A Tube, Muffler Inlet	05-144939	1
6	Screw, SHCS: M12 x 1.25 x 50mm	03-50582	2
7	Gasket, Exhaust 2-Bolt: 3.00 ID x 4.00 BC	05-46300	1
8	Clamp, Band: 2-1/2"	05-41061	3

aFe POWER recommends professional installation on this product. Thoroughly inspect the aFe POWER exhaust system to make sure there is no damage from shipping (if damage is noted, immediately contact aFe POWER customer service). Allow time for your vehicle to cool down prior to installation. When working on your vehicle proceed with caution. Wear protective safety equipment; eye goggles and gloves to ensure a safe installation.

Install band clamps to proper torque specifications of 40-45 ft-lb.





INSTALLATION INSTRUCTIONS

MAKE: Hyundai
MODEL: Elantra GT
YEAR: 2018-2020
ENGINE: I4-1.6L (t)

Axle-Back Exhaust

49-47016-B
49-47016-C
49-47016-L
49-47016-P

1. **(Read instructions prior to installation.)** It is recommended to not fully tighten the exhaust until it has been fully installed. Leave loose for adjustability.
2. Secure vehicle on jack stands (refer to your manual for specified jack stand positions).
3. For faster installation, spread out the parts of the exhaust alongside your vehicle as shown in the diagram above.
4. Secure the stock exhaust with jack/stands.
5. Remove the O.E. Axle-back up to the flanged joint.
6. Install the *S/A Tube, Muffler Inlet* using the provided *gasket, Bolts, and the O.E. nuts*.
7. *Install the S/A Muffler Assembly using the provided 2.5" band clamps.*
8. *Install the S/A Tube, Tail Pipe, Right into the muffler Assembly using the provided 2.5" band clamp. Slide the hanger rod into the O.E. Isolation mount.*
9. *Install the S/A Tube, Tail Pipe, Left into the muffler Assembly using the provided 2.5" band clamp. Slide the hanger rod into the O.E. Isolation mount.*
10. Install both tips using the provided band 2.5" clamps.
11. Adjust the system to desired position.
12. Ensure that all the components of the aFe POWER exhaust system are aligned and are at a safe clearance from all wires, hoses, brake lines, body parts, and tires.
13. Start from the front of the aFe exhaust system and evenly tighten all clamps and fasteners.
14. Start the vehicle and check for any leaks. If any leaks are found, determine cause and repair as necessary.
15. Remove vehicle from jacks stands.
16. It is recommended to re-tighten all clamps and hardware after 50-100 miles.