

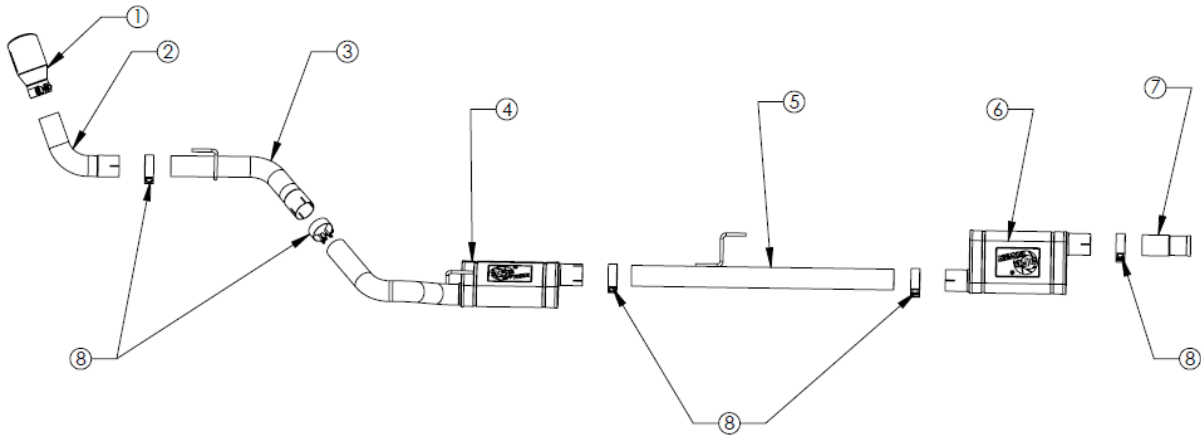


# INSTALLATION INSTRUCTIONS

Cat-Back Exhaust

MAKE: Jeep  
 MODEL: Gladiator  
 YEAR: 2020-2021  
 ENGINE: V6-3.6L

49-48083-B  
 49-48083-P



Item	Description	Part Number	Quantity
1	Exhaust Tip 3" In x 4.5" Out x 9" Long (Blk)	49T30452-B09	1
1	Exhaust Tip 3" In x 4.5" Out x 9" Long (Pol)	49T30452-P09	1
2	Tail Pipe Turn Out	05-144735	1
3	Tail Pipe Turn Down	05-144763	1
4	Rear Muffler Assembly	05-144733	1
5	Mid Pipe	05-144732	1
6	Muffler	49M00030	1
7	Front Pipe	05-144731	1
8	Clamp, Band: 3"	05-41055	5

aFe POWER recommends professional installation on this product. Thoroughly inspect the aFe POWER exhaust system to make sure there is no damage from shipping (if damage is noted, immediately contact aFe POWER customer service). Allow time for your vehicle to cool down prior to installation. When working on your vehicle proceed with caution. Wear protective safety equipment; eye goggles and gloves to ensure a safe installation.

Install band clamps to proper torque specifications of 40-45 ft-lb.





## INSTALLATION INSTRUCTIONS

**MAKE:** Jeep  
**MODEL:** Gladiator  
**YEAR:** 2020-2021  
**ENGINE:** V6-3.6L

**Cat-Back Exhaust**

49-48083-B

49-48083-P

1. **(Read instructions prior to installation.)** It is recommended to not fully tighten the exhaust until it has been fully installed. Leave loose for adjustability.
2. Secure vehicle on jack stands (refer to your manual for specified jack stand positions).
3. For faster installation, spread out the parts of the exhaust alongside your vehicle as shown in the diagram above.
4. Secure the stock exhaust with jack/stands.
5. Remove the spare tire and tire guard. This will allow for clearance to remove the exhaust.
6. Undo the clamp at the front of the stock exhaust and slide back to remove the exhaust in 1 piece.
7. Remove the O.E. ball clamp from the stock exhaust and install onto the aFe POWER front pipe.
8. Install the front pipe onto the O.E. Y-Pipe, Then, install the muffler 49M00030 onto the front pipe.
9. Install the Mid Pipe using the provided 3" band clamp and slide the hanger into the O.E hanger mount.
10. Install the Muffler Assembly using the provided 3" band clamp. Then, slide the hanger into the O.E hanger mount.
11. Unbolt the O.E. rear hanger bracket by removing the (x2) Bolts.
12. Install the Tail Pipe Turn Down using the provided 3" band clamp. Then bolt the O.E hanger bracket back in place using the O.E bolts from step 11.
13. Install the Tail Pipe Turn out using the provided 3" band clamp.
14. Install the aFe POWER tip using the provided 3" band clamp.
15. Ensure that all the components of the aFe POWER exhaust system are aligned and are at a safe clearance from all wires, hoses, brake lines, body parts, and tires.
16. Start from the front of the aFe exhaust system and evenly tighten all clamps and fasteners.
17. Re-install the spare tire guard and the spare tire.
18. Start the vehicle and check for any leaks. If any leaks are found, determine cause and repair as necessary.
19. Remove vehicle from jacks stands.
20. It is recommended to re-tighten all clamps and hardware after 50-100 miles.