



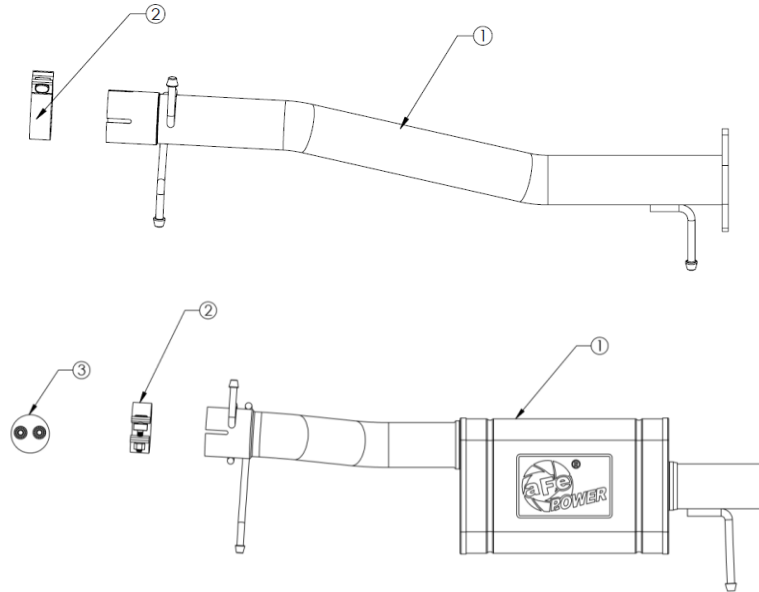
# INSTALLATION INSTRUCTIONS

Cat-Back Exhaust

MAKE: Dodge Ram  
 MODEL: 1500  
 YEAR: 2019  
 ENGINE: V8-5.7L

49C42076  
 49C42076NM

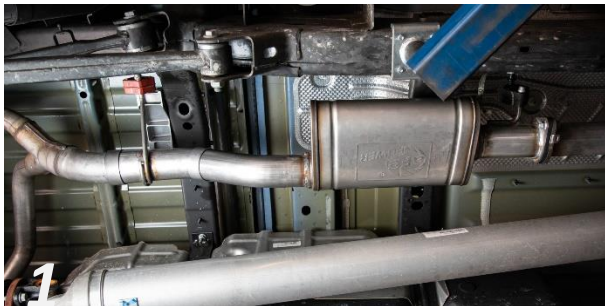
This system requires cutting of the O.E. exhaust.  
**NOTE: Fits both factory single and dual exhaust**



Item	Description	Part Number	Quantity
1	Muffler Delete	05-144843	1
1	Muffler Replacement	05-144844	1
2	Clamp, Band: 3"	05-41055	1
3	Nut, Flg M10 x 1.5	03-50189	2

aFe POWER recommends professional installation on this product. Thoroughly inspect the aFe POWER exhaust system to make sure there is no damage from shipping (if damage is noted, immediately contact aFe POWER customer service). Allow time for your vehicle to cool down prior to installation. When working on your vehicle proceed with caution. Wear protective safety equipment; eye goggles and gloves to ensure a safe installation.

Install band clamps to proper torque specifications of 40-45 ft-lb.





## INSTALLATION INSTRUCTIONS

**MAKE:** Dodge Ram  
**MODEL:** 1500  
**YEAR:** 2019  
**ENGINE:** V8-5.7L

**Cat-Back Exhaust**

49C42076

49C42076NM

This system requires cutting of the O.E. exhaust.

**NOTE: Fits both factory single and dual exhaust**

1. **(Read instructions prior to installation.)** It is recommended to not fully tighten the exhaust until it has been fully installed. Leave loose for adjustability.
2. Secure vehicle on jack stands (refer to your manual for specified jack stand positions).
3. For faster installation, spread out the parts of the exhaust alongside your vehicle as shown in the diagram above.
4. Secure the stock exhaust with jack/stands.
5. Remove the O.E. cat-Back exhaust up to the flanged joint.
6. This system will require cutting. Using a marker, scribe a line at the back of the muffler. **See reference image 3.**
7. Using a reciprocating saw cut the exhaust behind the muffler and deburr all edges.
8. Install the aFe POWER muffler or muffler delete using the O.E. nuts. Slide the hanger into the O.E. hanger mounts.
9. Install the back half of the O.E. exhaust using the provided 3" band clamp.
10. Adjust the O.E. exhaust tips into the center of the bumper cut outs.
11. Ensure that all the components of the aFe POWER exhaust system are aligned and are at a safe clearance from all wires, hoses, brake lines, body parts, and tires.
12. Start from the front of the aFe POWER exhaust system and evenly tighten all clamps and fasteners.
13. Start the vehicle and check for any leaks. If any leaks are found, determine cause and repair as necessary.
14. Remove vehicle from jack stands.
15. It is recommended to re-tighten all clamps and hardware after 50-100 miles.