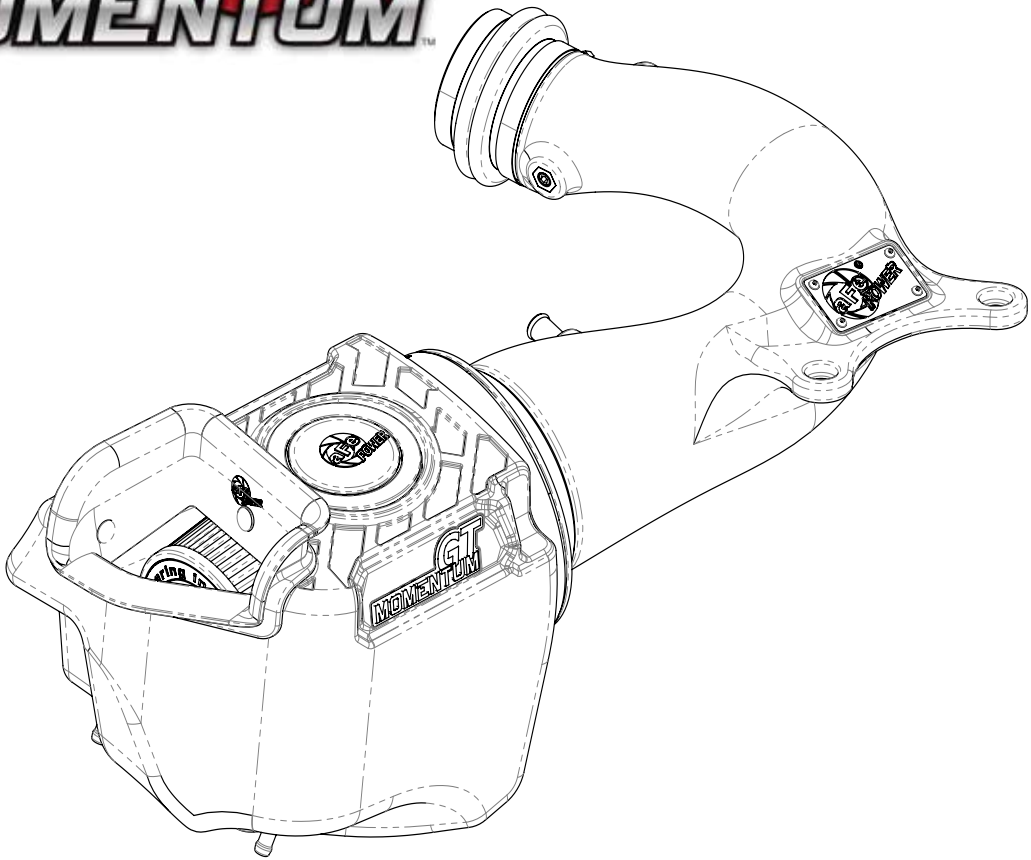


GT
MOMENTUM™



advanced FLOW engineering

Momentum GT Air Intake System

Instruction Manual P/N: 50-70001D / 50-70001R / 50-70001G

Make: **Jeep** Model: **Wrangler (JK)** Year: **2012-2018** Engine: **V6-3.6L w/ Sprintex Superchargers**



- Please read the entire instruction manual before proceeding.
- Ensure all components listed are present.
- If you are missing any of the components, call customer support at 951-493-7100.
- Ensure you have all necessary tools before proceeding.
- Do not attempt to work on your vehicle when the engine is hot.
- Disconnect the negative battery terminal before proceeding.
- Retain factory parts for future use.

Label	Qty.	Description	Part Number
A1	1	Air Filter (Pro DRY S)	21-91125
A2	1	Air Filter (Pro 5R)	24-91125
A3	1	Air Filter (Pro GUARD 7)	72-91125
B	1	Tube	50-5070001B1
C	1	Housing	05-76212B2
D	2	Clamp, T-bolt, (3-5/16-3-5/8)	03-50292
E	1	Clamp, T-bolt, (7-7-3/8)	03-50290
F	1	Coupler, Silicone Bellows	05-01400
G	1	Fitting, Air Temp Sensor	05-01454
H	1	Grommet, Rubber	03-50167
I	1	Inlet, Silicone	05-01479
J	1	Plug, Hex Hd Socket: 1/8"	03-50029

Installation will require the following tool(s):

8mm nut driver, 10mm nut driver or deep socket, 11mm nut driver or deep socket and 3/16" Allen key.

Warranty Information available at: <https://afepower.com/contact#warranty>

Note: This product is not currently CARB exempt and is not available for purchase in California or for use on any vehicle registered with the California Department of Motor Vehicles.

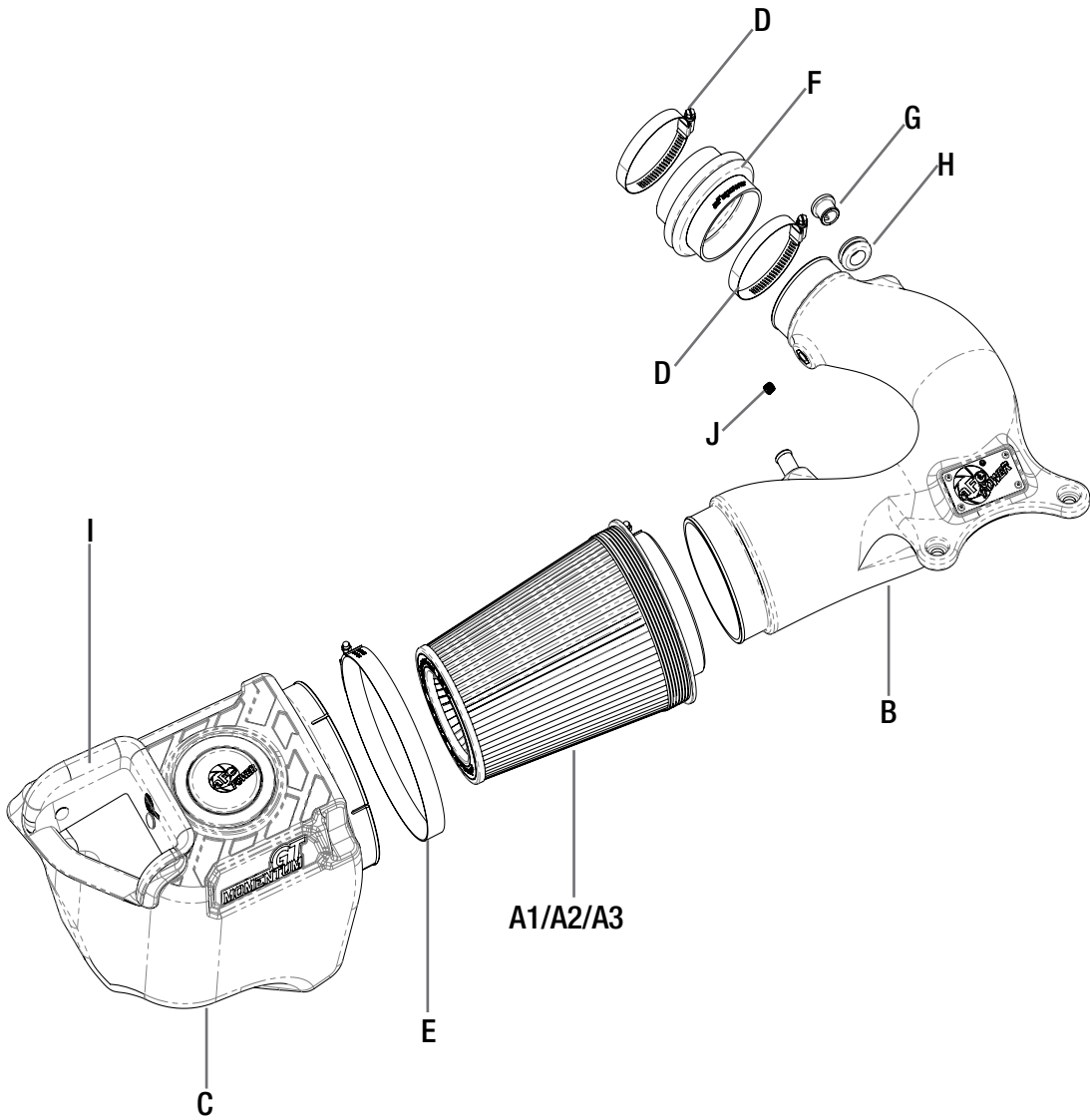




Figure A

Refer to Figure A for Steps 1-3.

Step 1: Loosen both clamps on the Sprintex intake tube.

Step 2: Disconnect the Temperature sensor located on the bottom of the intake tube.

Step 3: Remove the intake tube from the vehicle



Figure B

Refer to Figure B for Steps 4-6.

Step 4: Disconnect the CCV hose from the top of the OE airbox.

Step 5: Remove the OE housing from the vehicle by lifting straight upward on the box.

Step 6: Remove the two clamps from the radiator shroud that are securing the coolant overflow line.

**Figure C****Refer to Figure C for Steps 7-9.**

Step 7: Remove the temp sensor from the Sprintex intake tube.

Step 8: Install the grommet, temp sensor adaptor, and temp sensor into the new aFe intake as shown.

Step 9: Use Teflon tape to wrap the 1/8 NPT plug. Use this plug to seal the port on the side of the intake tube.

NOTE: The 1/8 NPT port on the side of the tube can be utilized for water/methanol injection if desired. (Sold separately and not available from aFe POWER)



Figure D

Refer to Figure D for Step 10.

Step 10: Locate the rubber grommets and sleeves from the OE intake tube, and install the two grommets into the aFe intake tube from the bottom side.



Refer to Figure E for Steps 11-13

Step 11: Install the aFe air filter into the intake housing.

Step 12: Place the large clamp over the housing, but do not tighten the clamps at this time.

Step 13: Verify that all three factory rubber grommets are in place on the battery tray, then install the aFe housing into the vehicle.



Figure F

Refer to Figure F for Steps 14-19.

Step 14: Place the coupling and the two smaller clamps over the throttle body.

Step 15: Install the new aFe intake tube into the vehicle by inserting the large end of the tube into the filter and then aligning the smaller end of the tube with the coupler at the throttle body.

Step 16: Route the coolant overflow line on top of the fan shroud so that it does not hang down near the fan.

Step 17: Use the two OE screws from the intake to secure the intake tube to the fan shroud. The coolant overflow line can be tucked just underneath the two mounting tabs on the tube to secure it in place.

Step 18: Reconnect the temp sensor harness to the sensor on the intake tube.

Step 19: Connect the CCV hose to the port on the side of the aFe intake tube.



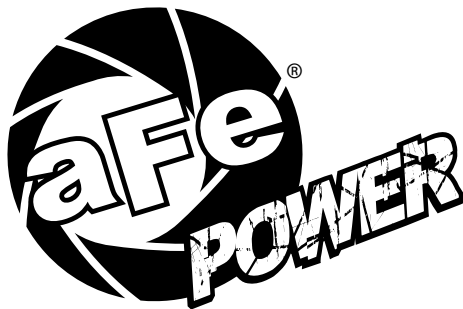
Figure G

Refer to Figure G for Step 20.

Step 20: Tighten all clamps at this time. Your installation is now complete.

NOTE: Check all bolts, clamps, and hose connections after 100-200 miles.

Page left blank intentionally



advanced FLOW engineering, inc.
252 Granite Street Corona, CA 92879
<https://afepower.com/contact>