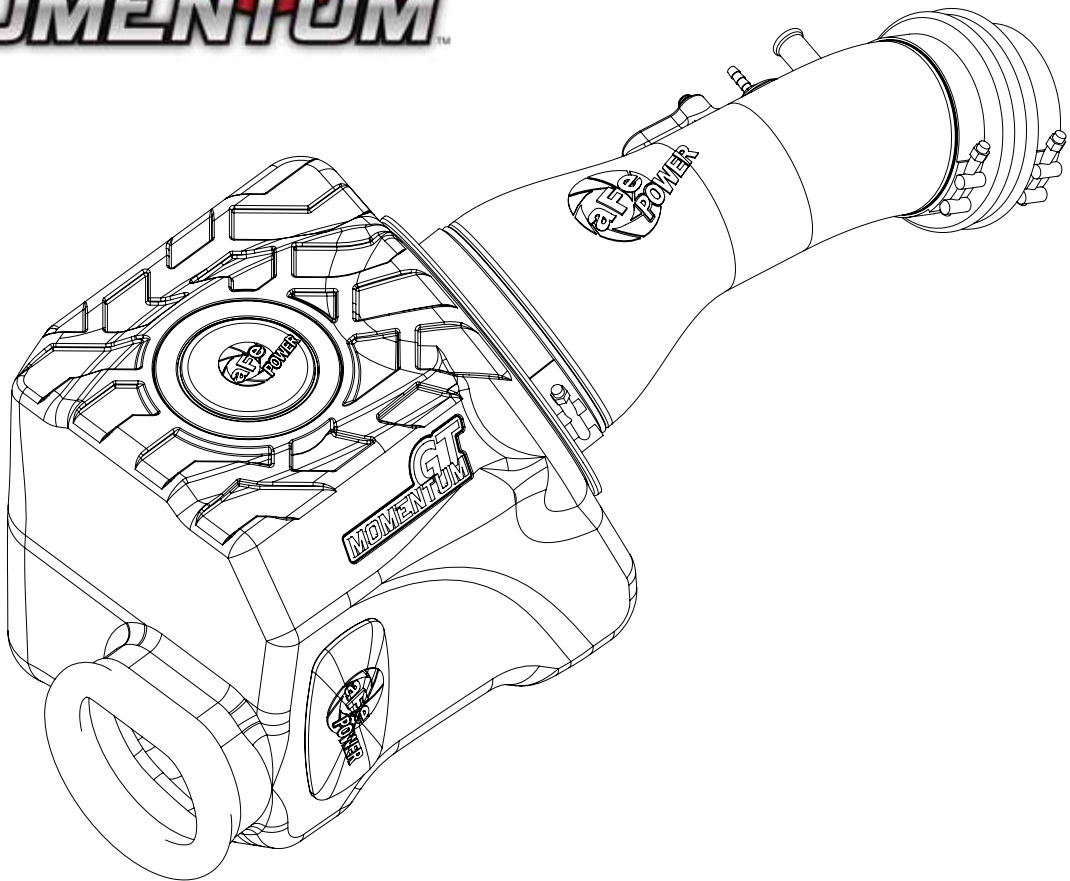


GT
MOMENTUM™



advanced FLOW engineering Momentum GT Cold Air Intake System

Instruction Manual P/N: 50-70022D / 50-70022R

Make: **Lexus**

Model: **GX 460**

Year: **2010-2020**

Engine: **V8-4.6L**



- Please read the entire instruction manual before proceeding.
- Ensure all components listed are present.
- If you are missing any of the components, call technical support at 951-493-7185 or e-mail tech@afepower.com.
- Ensure you have all necessary tools before proceeding.
- Do not attempt to work on your vehicle when the engine is hot.
- Disconnect both the negative battery terminal before proceeding.

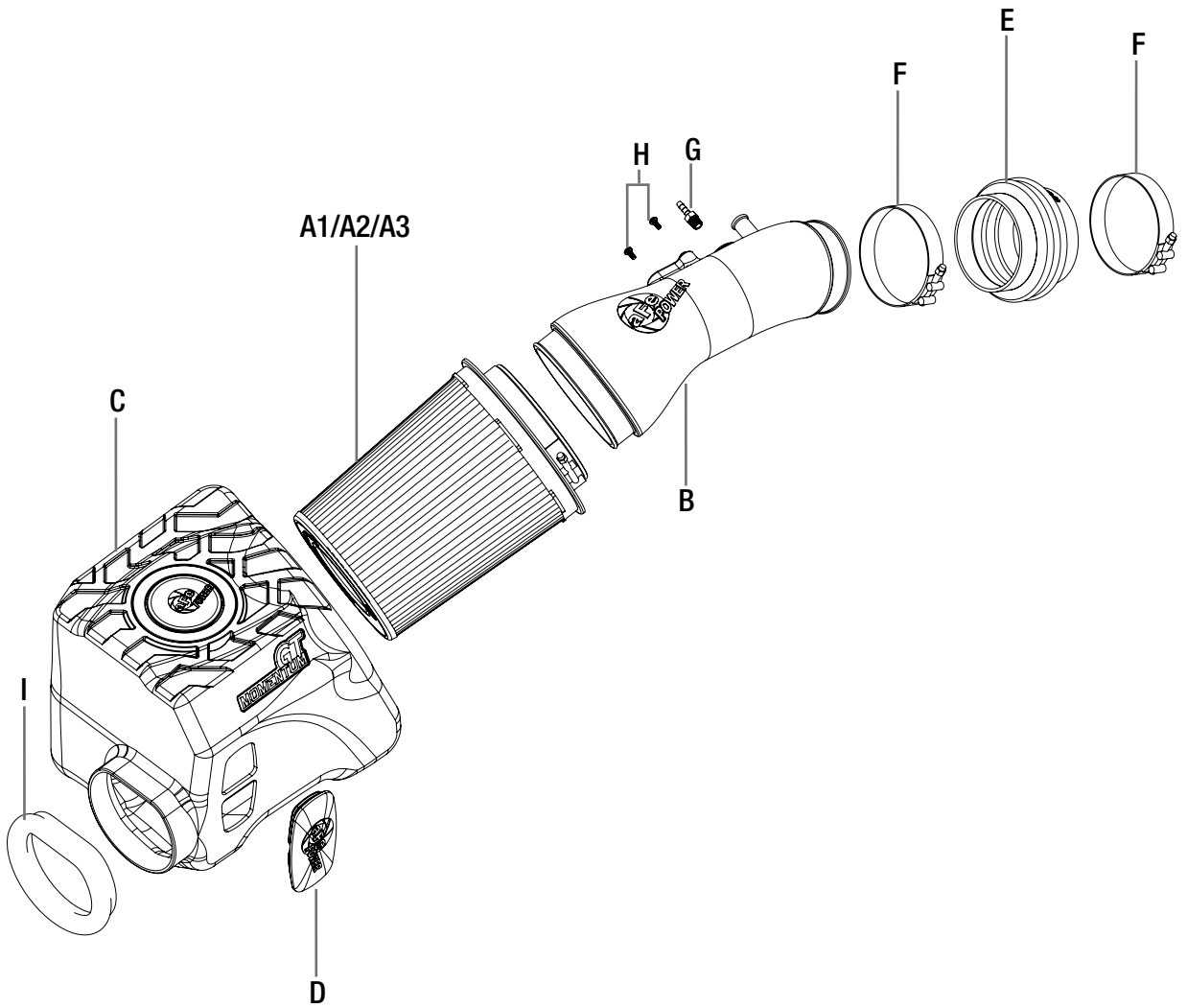
Retain factory parts for future use.

Label	Qty.	Description	Part Number
A1	1	Pro DRY S (Gray Media)	21-91141
A2	1	Pro 5R (Blue Media)	24-91141
B	1	Tube	05-5070022B1
C	1	Housing	05-5070022B2
D	1	Plug, Silicone	05-01429
E	1	Coupling, Silicone Bellow	05-01389
F	2	Clamp, T-bolt	03-50498
G	1	Nipple, Brass: 3/16"	03-50191
H	2	Screw, Torx: M4	03-50491
I	1	Seal, Trim: 3/4" (16" inches)	05-00007

Installation will require the following tools:

#2 Phillips screwdriver, T20 Torx driver, 10mm nut driver, 11mm deep socket, 12mm socket and driver, 12" driver extension, 11mm wrench or adjustable wrench.

Note: Not legal for use in California. The use of this device in any on-road or off-road vehicles registered with the California Dept of Motor Vehicles (DMV) is strictly prohibited.





Refer to Figure A for Step 1

Step 1: Remove the engine cover by lifting up on the front until it disengages the mounting grommets, then pulling towards the front of the vehicle.



Figure B

Refer to Figure B for Steps 2-3

Step 2: Using a 10mm nut driver, loosen the factory clamps (1) at the throttle body and airbox, and remove the retaining screw (2) at the airbox.

Step 3: Disconnect the Mass Airflow Sensor (3), and both vent hoses (4). Remove the factory intake tube and set aside.

**Figure C****Refer to Figure C for Step 4**

Step 4: Disengage the four (4) clamps (5) on the sides of the factory airbox and remove the MAF wire harness clip (6). Remove the top half of the airbox and the factory air filter.



Figure D

Refer to Figure D for Step 5

Step 5: Using a 12mm socket and driver, remove the three (3) screws (7) securing the factory airbox and set them aside. Remove the bottom half of the airbox from the vehicle.



Refer to Figure E for Step 6

Step 6: Transfer the three (3) rubber grommets and steel inserts (8) from the factory airbox into the aFe POWER airbox as shown.



Figure F

Refer to Figure F for Step 7

Step 7: Install the supplied seal trim onto the aFe POWER airbox. Trim to fit.



Figure G

Refer to Figure G for Step 8

Step 8: Install the aFe POWER airbox into the vehicle using the three (3) screws (9) removed in Step 5. Tighten using a 12mm socket and driver. A 12" extension will be needed to reach the rear most mounting point.

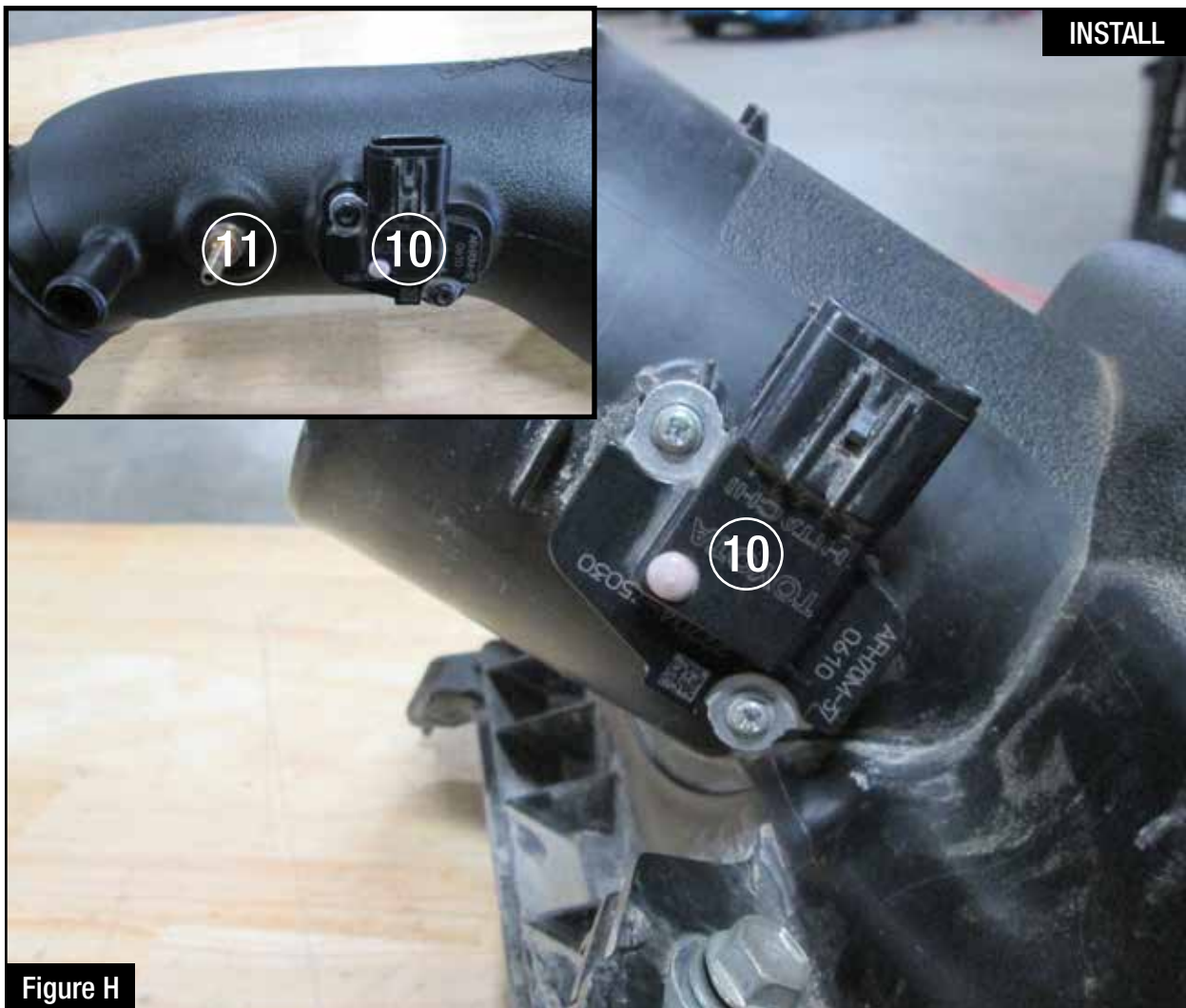


Figure H

Refer to Figure H for Steps 9-10

- Step 9: Using a #2 Phillips screwdriver, remove the MAF sensor (10) from the top of the factory airbox and transfer it into the aFe POWER intake tube. Secure the sensor in the aFe POWER intake tube using the supplied M4 screws and a T20 Torx driver.
- Step 10: Install the brass hose fitting (11) into the aFe POWER intake tube and tighten using an 11mm wrench or adjustable wrench.

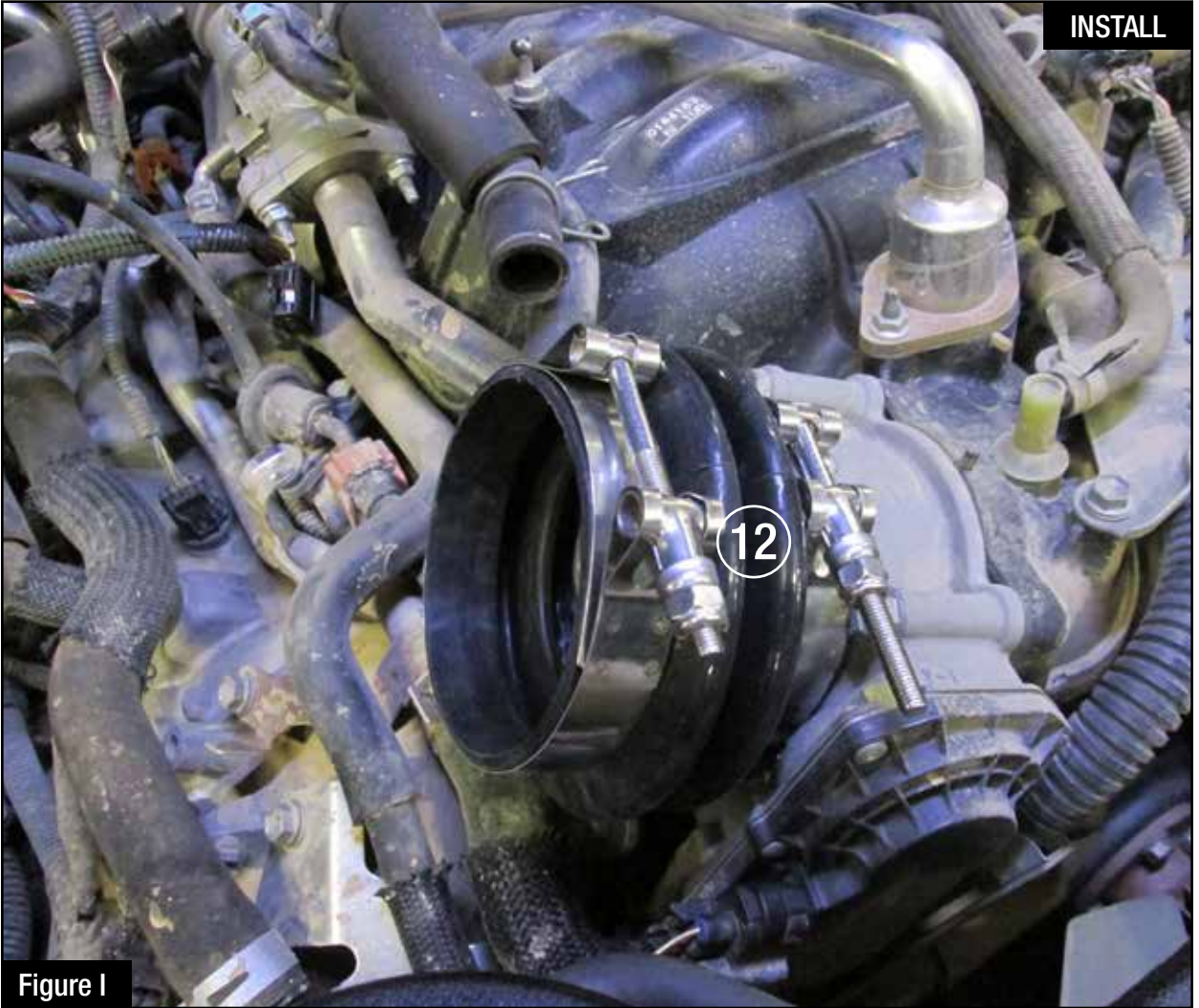


Figure I

Refer to Figure I for Step 11

Step 11: Install the supplied coupler and one clamp ⑫ onto the throttle body and tighten the clamp using an 11mm deep socket and driver. Place the 2nd clamp onto the end of the coupler and do not tighten.



Figure J

Refer to Figure J for Step 12

Step 12: Install the aFe POWER air filter and clamp into the airbox in the vehicle.

**Figure K****Refer to Figure K for Steps 13-14**

- Step 13: Install the aFe POWER intake tube into the vehicle by sliding the tube into the coupler on the throttle body first, then into the filter. Tighten all clamps as shown above using an 11mm deep socket and driver.
- Step 14: Connect the crank case vent hose (13) and 5/32" vacuum line (14) to the aFe POWER intake tube. Reconnect the MAF sensor wire harness (15) .



Figure L

Refer to Figure L for Step 15

Step 15: Reinstall the engine cover.

**Figure M****Refer to Figure M for Step 16**

Step 16: Use the provided plug (16) to close the additional air inlet if you want to completely seal the airbox. Best performance is obtained without the plug. Check that all components are tight and secure. Your installation is now complete. Thank you for choosing aFe POWER!

NOTE: Check all bolts, clamps and connectors after 100-200 miles.

Page left blank intentionally



Pro DRY S Air Filter



P/N: 21-91141

Pro 10R Air Filter



P/N: 24-91141

Pro-GUARD 7 Air Filter



P/N: 72-91141

Pre-Filter



P/N: 28-10043

Pro DRY S Restore Kit



P/N: 90-59999

Blue Squeeze Restore Kit



P/N: 90-50501

Gold Squeeze Restore Kit



P/N: 90-50500

aFe POWER Strap Back



P/N: 40-10043

To purchase any of the items above, view airflow charts, dyno graphs, photos, and video; please go to aFepower.com.

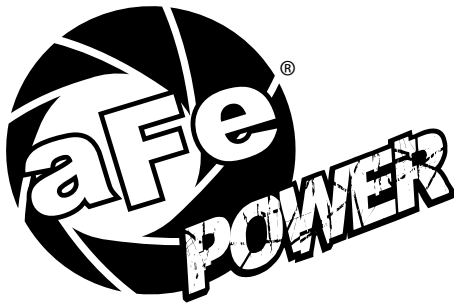
Warranty

General Terms:

- aFe warrants their products to be free from manufacturer's defects due to workmanship and material.
- This warranty applies only to the original purchaser of the product and is non-transferrable.
- Proof of purchase of the aFe product is required for all warranty claims.
- Warranty is valid provided aFe instructions for installation and/or cleaning were properly followed.
- Proper maintenance with regular inspections of product is required to insure warranty coverage.
- Damage due to improper installation, abuse, unauthorized repair or alteration is not warranted.
- Incidental or consequential damages or cost, including installation and removal of part, incurred due to failure of aFe product is not covered under this warranty.
- All warranty is limited to the repair and/or replacement of the aFe part. To request Return Goods Authorization ("RGA"), email RGA@afepower.com or call (951)493-7100. Upon receipt of the RGA, you must return the product to the address provided in the RGA, freight prepaid and accompanied with a dated proof of purchase and the RGA. Upon receipt of the defective product and upon verification of proof of purchase, aFe will either repair or replace the defective product within a reasonable time, not to exceed thirty days.

Product Category	P/N Prefix	Warranty duration
Direct OE Replacement Filters	10, 11, 30, 31, 71, 73	Life of the vehicle
Racing Filters	18	1 year
Universal	21, 23, 24, 72	2 years
Air Intake Systems	50, 51, 53, 54, 55, 58, 75, TA, TL, TM, TR	2 years
Exhaust Systems	49	2 years
Intercoolers & Intercooler Tubes	46-2	2 years
Intake Manifolds	46-1	2 years
Differential Cover	46-7	Life of the vehicle
Exhaust Manifolds	46	2 years
Throttle Body Spacers	46-3	2 years
Fluid Filters	44	90 days
Pre-Filters	28	2 years
Heavy Duty OE Replacement	70	2 years
PowerSports OE Replacement	81, 87	2 years
PowerSports Intake Systems	85	2 years

No other warranty expressed or implied applies nor is any person or advanced FLOW engineering authorized to assume any other warranty. Some States do not allow the exclusion or limitation of incidental or consequential damages or do not allow limitations on how long an implied warranty lasts, so the above limitations or exclusions may not apply to you. This warranty gives you specific legal rights, and you may also have other rights which vary from State to State.



advanced FLOW engineering, inc.
252 Granite Street Corona, CA 92879
TEL: 951.493.7100 • TECH: 951.493.7185
E-Mail: Tech@aFepower.com