

advanced FLOW engineering Momentum Air Intake

Instruction Manual P/N: 51-72103 / 54-72103 / 75-72103

Make: **RAM** Model: **2500 "Power Wagon"** Year: **2014-2017** Engine: **V8-6.4L HEMI**
CARB Executive Order **D-550-27** Covers **51-72103** and **54-72103** only.

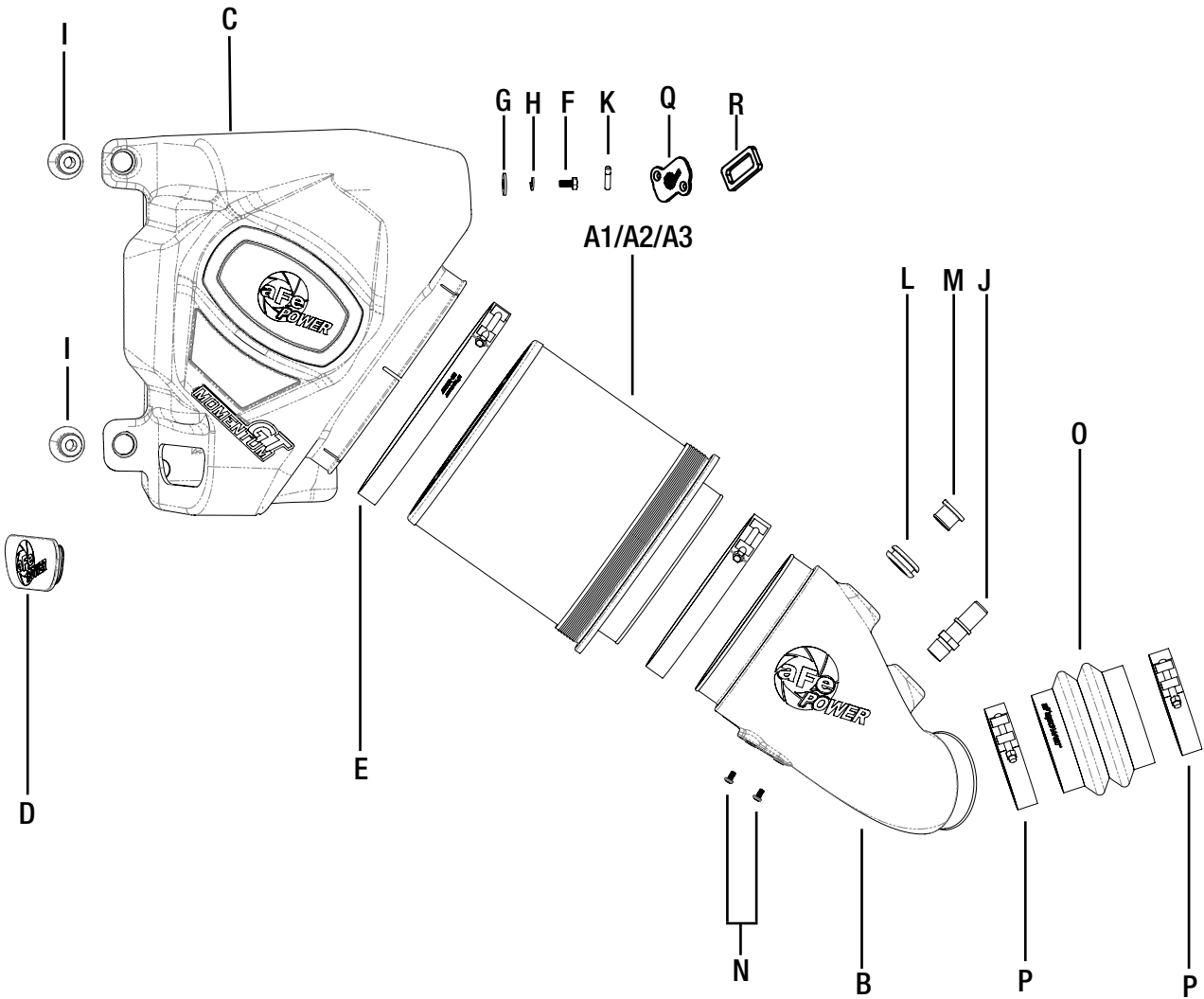


- Please read the entire instruction manual before proceeding.
- Ensure all components listed are present.
- If you are missing any of the components, call customer support at 951-493-7100.
- Ensure you have all necessary tools before proceeding.
- Do not attempt to work on your vehicle when the engine is hot.
- Disconnect the negative battery terminal before proceeding.
- Retain factory parts for future use.

Label	Qty.	Description	Part Number
A1	1	Air Filter (Pro 5R)	24-91110
A2	1	Air Filter (Pro DRY S)	21-91110
A3	1	Air Filter (Pro-GUARD 7)	72-91110
B	1	Tube	05-72103B1
C	1	Housing	05-72103B2
D	1	Plug, Air Box	05-00937
E	1	Clamp, T-Bolt (8-5/16" - 8-5/8")	03-50267
F	1	Screw, Hex Hd: M6	03-50032
G	1	Washer, Flat: M6	03-50070
H	1	Washer, Lock: M6	03-50071
I	2	Grommet, Urethane	03-50537
J	1	Fitting, Vent Large	05-01339
K	1	Threadlocker	03-50162
L	1	Grommet, Rubber	03-50167
M	1	Fitting, Air Temp Sensor	05-01336
N	2	Screw, Torx: M4	03-50490
O	1	Coupling, Silicone Hump	05-01389
P	2	Clamp, T-bolt (3-9/16" - 3-7/8")	03-50498
Q	1	Block Off Plate, Sensor	05-01372
R	1	Gasket, MAS	05-00631

Tools Needed: 8mm nut driver or flat head screwdriver, Phillips head screwdriver, T20 Torx bit and driver, 10mm socket and driver, 11mm nut driver or deep socket and driver, panel poppers or pliers.

Warranty Information available at <https://afepower.com/contact#warranty>





REMOVAL

Figure A

Refer to Figure A for Step 1

Step 1: Remove the engine cover by lifting on front of the cover to release the front mounting points and then pulling straight forward towards the front of the truck to unclip the rear mounting points.



Figure B

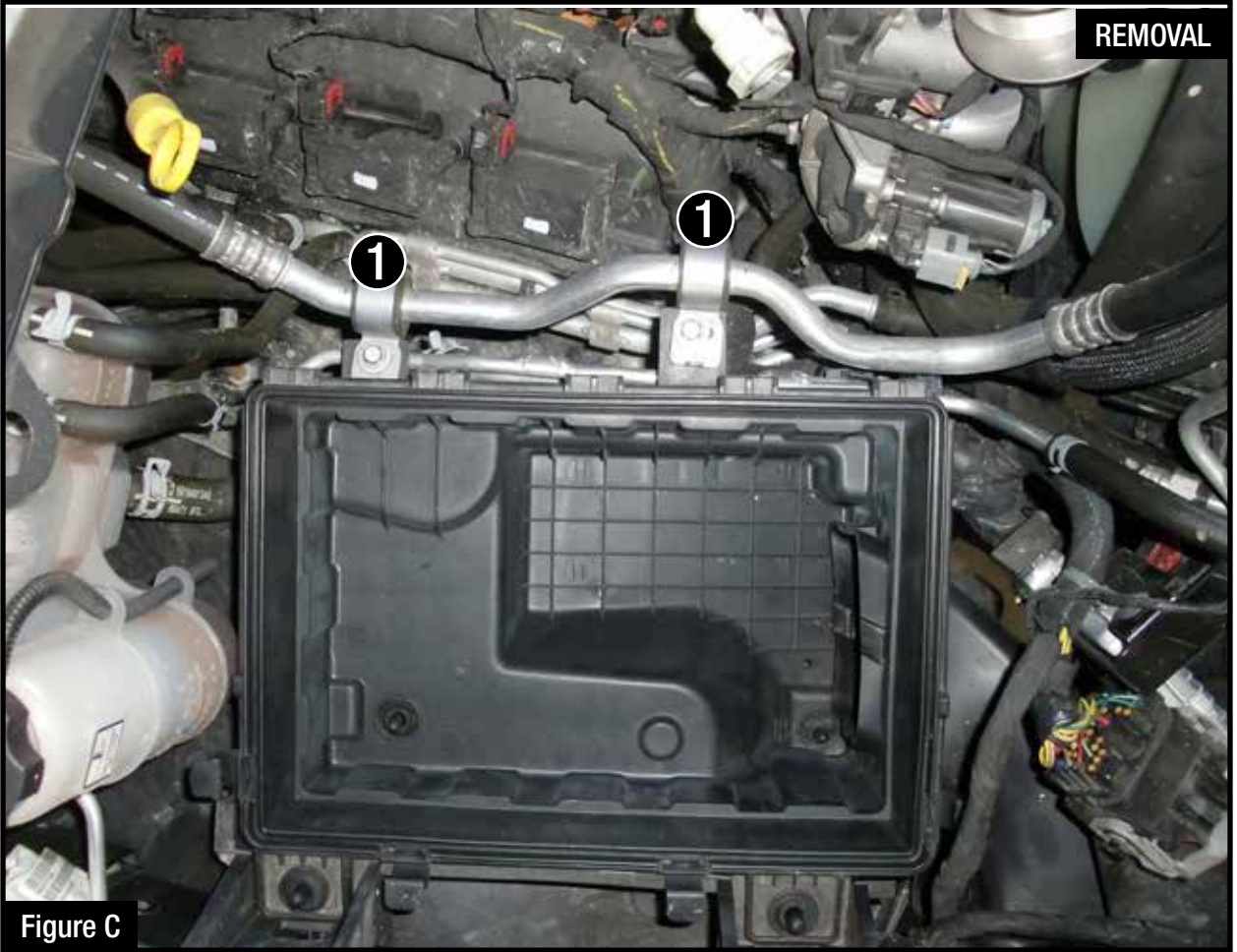
Refer to Figure B for Steps 2-5

Step 2: Disconnect the temperature sensor and the Mass Air Flow (MAF) sensor if equipped.

Step 3: Disconnect the Crank Case Vent (CCV) hose from the intake tube by holding down on the connector and then pulling it straight off.

Step 4: Loosen the two clamps on the intake tube using an 8mm nut driver or slotted screw driver.

Step 5: Remove the intake tube from the vehicle.


Figure C
Refer to Figure C for Steps 6-9

Step 6: Unclip the top half of the air box and remove it.

Step 7: Remove the air filter from the air box.

Step 8: Remove the two screws from the housing that secure the AC line using a 10mm socket and driver. ①

Step 9: Unclip the second set of lines from the housing with a pair of pliers or a panel popper tool.

**Figure D****Refer to Figure D for Steps 10-12**

Step 10: Pull straight up on the housing to remove it from its posts, but do not try to remove it all the way yet.

Step 11: With the air box still in the vehicle, disconnect the air duct from housing by pushing inward on the tabs.

Step 12: Remove the intake housing and air duct from the vehicle.



Figure E

Refer to Figure E for Step 13

Step 13: Remove one of the isolation mounts from the AC line.



Figure F

Refer to Figure F for Steps 14-16

Step 14: Remove two of the rubber grommets from the bottom of the factory air box.

Step 15: Transfer two of the rubber grommets to the bottom of the new aFe air box. ②

Step 16: Install the two supplied urethane grommets into the tabs on the side of the aFe air box. ③



Figure G

Refer to Figure G for Step 17

Step 17: Connect the factory air duct to the new aFe air box as shown.



Figure H

Refer to Figure H for Steps 18-22

Step 18: Install the rubber grommet into the intake tube.

Step 19: Install the billet temperature sensor adaptor into the grommet. Note: Use a lubricant or silicone spray to make this step easier.

Step 20: Put the supplied thread locker on the last 2-4 threads of the CCV adapter.

Step 21: Install the CCV adaptor into the intake tube and tighten it up. Note: This is an NPT fitting so please be sure not to over tighten this fitting. There will still be a gap between the tube and the hex part of the fitting after proper installation.

Step 22: Remove the temperature sensor from the factory intake tube and install it into the fitting on the new aFe intake tube.


Figure I

Refer to Figure I for Steps 23-24

- Step 23: Remove the MAF sensor from the factory air box cover using a small phillips-head screw driver.
- Step 24: Install the MAF sensor into the new aFe intake tube and secure it using the provided M4 screws and T20 Torx bit and driver.

NOTE: Not all applications have this sensor. If your vehicle does NOT have this sensor, use the provided cover plate, gasket and screws to block this opening.



Figure J

Refer to Figure J for Steps 25-27

- Step 25: Install the new aFe air box into the vehicle by aligning the air duct back into its location and then align the four grommets on their posts.
- Step 26: Once the housing is in place, slide the isolation mount on the AC line over so that it is aligned with the threaded insert on the back of the air box.
- Step 27: Use the M6 bolt, lock washer provided, and flat washer to secure the isolation mount to the back of the air box. Tighten the bolt with a 10mm socket and driver.



Refer to Figure K for Steps 28-29

Step 28: Install the large clamp around the flange on the aFe air box.

Step 29: Install the new aFe air filter into the air box and make sure to leave both clamps loose.



Figure L

Refer to Figure L for Step 30

Step 30: Install the coupling and two smaller clamps onto the throttle body as shown, but leave both clamps loose at this time.


Figure M

Refer to Figure M for Steps 31-33

- Step 31: Install the intake tube into the vehicle, but when doing so, align the CCV tube over the billet adaptor. It is not necessary to connect it all the way at this point but it makes the next step easier.
- Step 32: Align the tube so there is not a gap anywhere between the end of the tube and the back side of the filter flange.
- Step 33: Tighten all the clamps at this time, but make sure the smaller clamps will clear the engine cover after it is installed. (set the engine cover in the vehicle to test this if necessary)



Figure N

Refer to Figure L for Steps 34-35

Step 34: Reconnect any MAF sensor and temperature sensor connectors.

Step 35: Reconnect the CCV hose to the new adaptor and make sure that it clicks over the small step on the adaptor. Pull on the hose to make sure that it is securely fastened.

NOTE: Place the included CARB EO sticker on or near the device on a smooth, clean surface. EO identification label is required to pass the smog inspection.



Figure 0

Refer to Figure M for Steps 36-38

Step 36: Reinstall the engine cover by clipping the cover into the back mounting points and then pressing down firmly on the front mounting points.

Step 37: If you would like to install the provided plug for the air box, then it can be installed now.

Step 38: Your installation is now completed.

NOTE: Check all bolts, clamps and connectors after 100-200 miles.



Page left blank intentionally.



advanced FLOW engineering, inc.
252 Granite Street Corona, CA 92879
<https://afepower.com/contact>