

QUANTUMTM

advanced FLOW engineering Quantum Cold Air Intake System

Instruction Manual P/N: 53-10021D / 53-10021R

Make: Ford

Model: Ranger

Year: 2019-2020

Engine: L4-2.3L (t)



- Please read the entire instruction manual before proceeding.
- Ensure all components listed are present.
- If you are missing any of the components, call customer support at 951-493-7100.
- Ensure you have all necessary tools before proceeding.
- Do not attempt to work on your vehicle when the engine is hot.
- Disconnect the negative battery terminal before proceeding.
- Retain factory parts for future use.

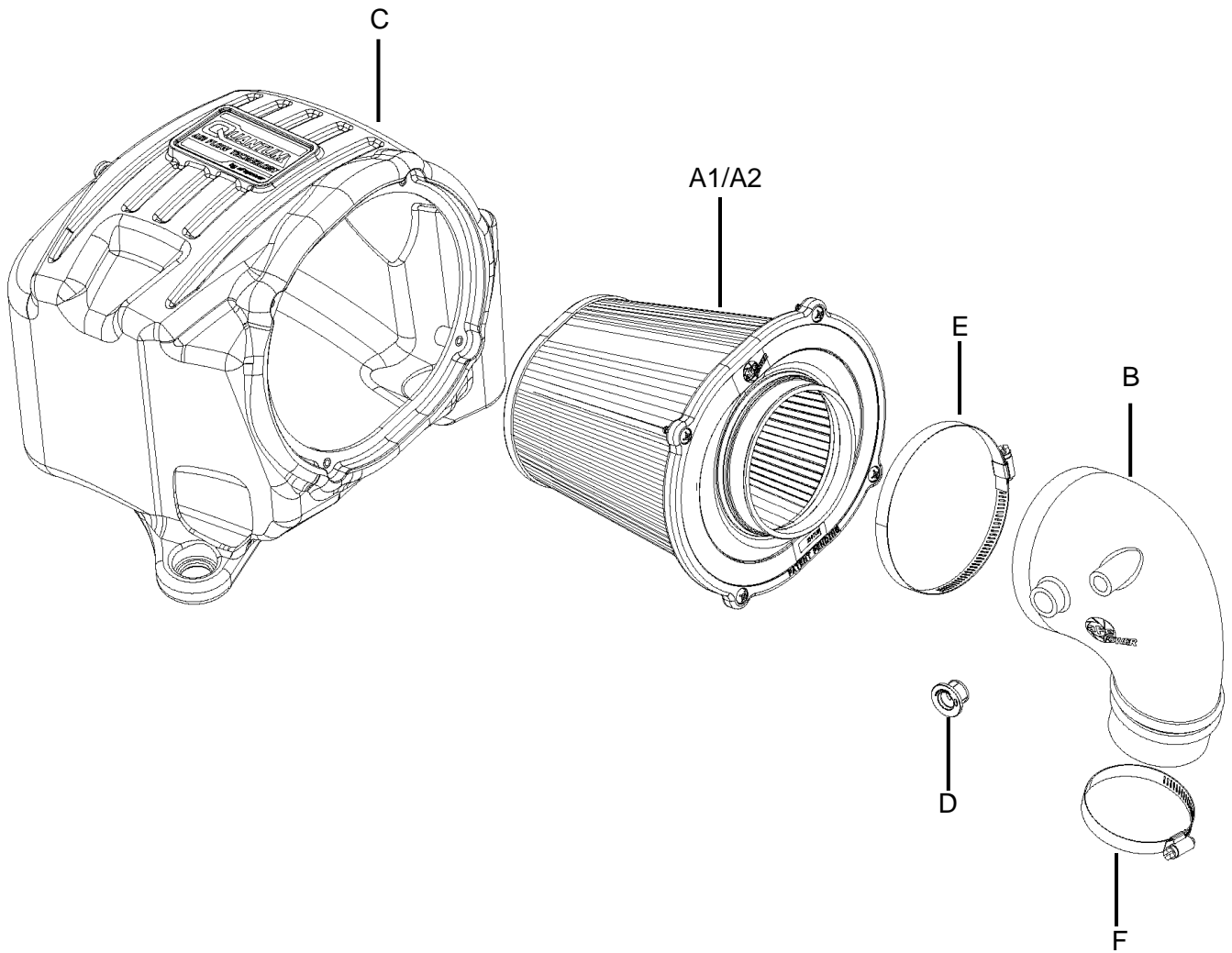
Label	Qty.	Description	Part Number
A1	1	Air Filter (Pro 5R)	23-91129
A2	1	Air Filter (Pro DRY S)	21-90098
B	1	Tube	05-5310021B1
C	1	Housing	05-5310021B2
D	1	Adaptor, Air Temp Sensor	05-01454
E	1	Clamp, 080 (3-1/2" – 5-1/2")	03-50011
F	1	Clamp, 048 (2-9/16" - 3-1/2")	03-50007

Installation will require the following tools:

Panel clip remover, 7mm & 8mm nut drivers, T-30 Torx driver, Phillips #3 screwdriver, small flat-head screwdriver, 8mm socket, extension, and driver.

Warranty Information available at <https://afepower.com/contact#warranty>

Emissions Disclaimer: This product is not currently CARB exempt and is not available for purchase in California or for use on any vehicle registered with the California Department of Motor Vehicles.





Refer to Figure A for Steps 1-4

Step 1: Using a panel clip remover, remove the coolant line ① attached to the upper intake tube.

Step 2: Disconnect the vent hose ② from the upper intake tube .

Step 3: Disconnect the air temperature sensor ③.

Step 4: Using a 7mm nut driver, loosen the clamps ④ attaching the upper intake tube. Remove the intake tube and set aside.



Refer to Figure B for Steps 5-6

Step 5: Using the clip remover, remove the two clips (5) holding down the air temperature sensor wire harness.

Step 6: Using a T30 torx drive, remove the two screws (6) holding down the air scoop (7). Remove the scoop and set aside.

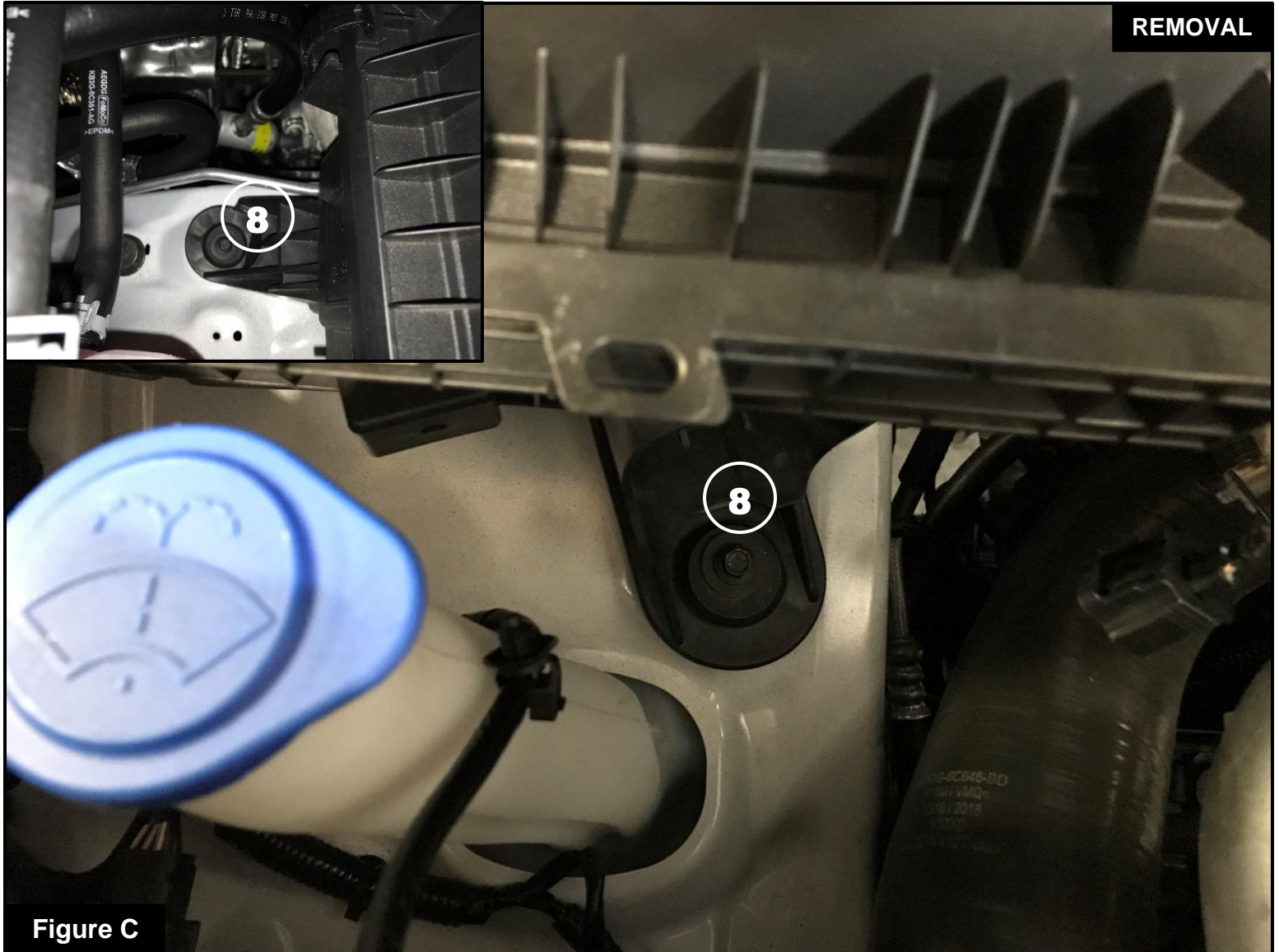


Figure C

Refer to Figure C for Steps 7-8

Step 7: Using an 8mm socket, extension & driver, remove the two screws ⑧ holding down the stock housing.

Step 8: Remove the stock housing by lifting up and to the side to clear the side pin mount of the housing.



Figure D

Refer to Figure D for Steps 9-11

- Step 9: Using a small flat-head screwdriver, pry open the small clamp (9) to remove the vent fitting (10) from the stock upper intake tube. Install the vent fitting into the aFe POWER intake tube.
- Step 10: Remove the air temperature sensor (11) from the stock housing by gently lifting on the small plastic release tab and rotating a quarter turn counterclockwise and gently pulling outward.
- Step 11: Install the provided air temperature sensor adaptor (12) into the aFe POWER intake tube and install the sensor into the adaptor by rotating a quarter turn clockwise to lock it into place.



Figure E

Refer to Figure E for Step 12

Step 12: Remove the pin grommet (13) and the two metal inserts and grommets (14) from the stock housing and install them onto the aFe POWER housing.



Figure F

Refer to Figure F for Step 13

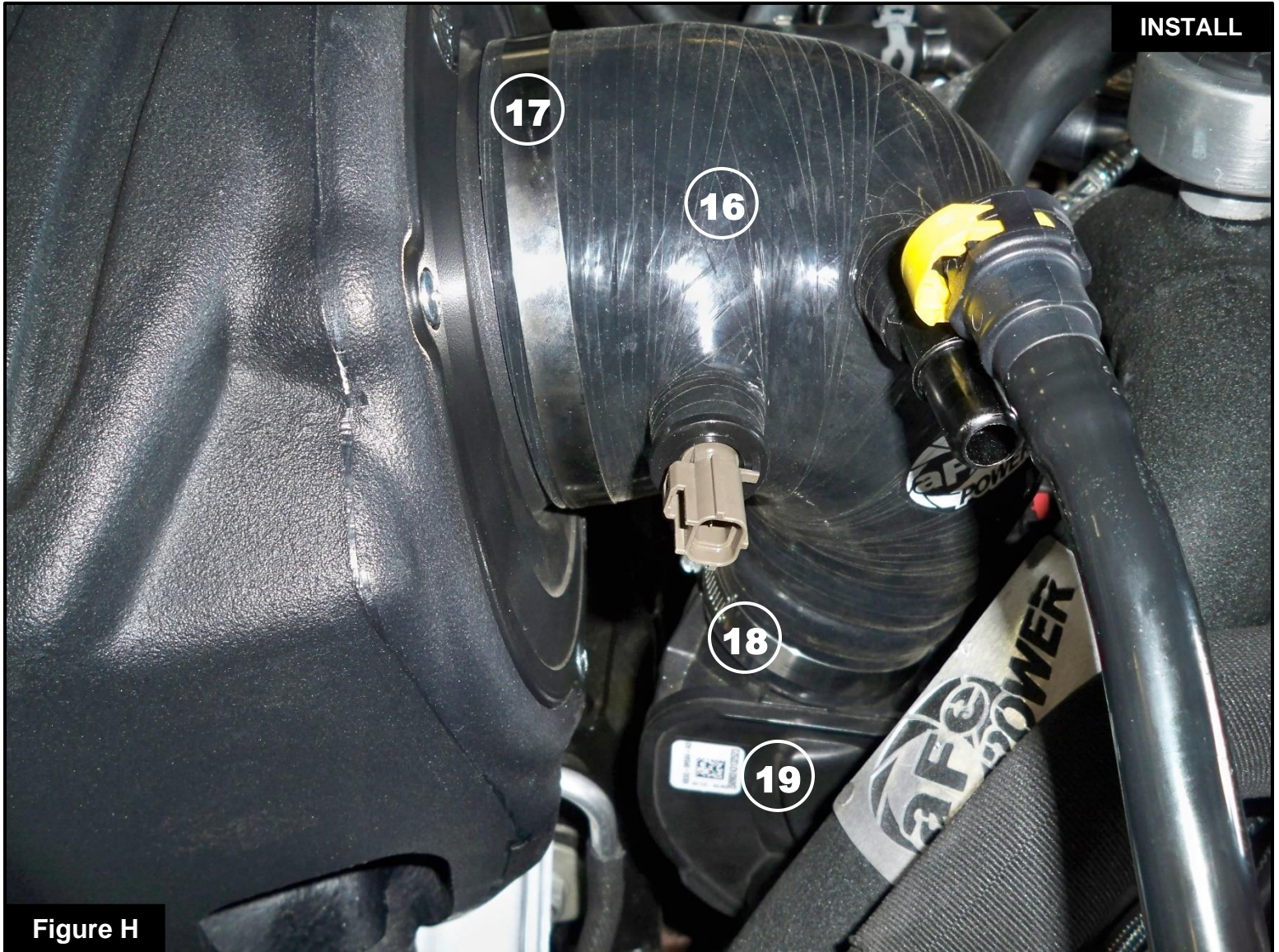
Step 13: Install the aFe POWER housing in the truck by sliding the side pin mount into the side panel hole and using the two screws (15) removed in step 7.



Figure G

Refer to Figure G for Step 14

Step 14: Slide the aFe POWER filter into the aFe POWER housing. Install the aFe POWER filter using a #3 Phillips screwdriver. Tighten all four screws.

**Figure H****Refer to Figure H for Steps 15-16**

Step 15: Install the aFe POWER intake tube assembly (16) using the #080 clamp (17) at the filter and the #048 clamp (18) at the stock lower intake tube (19).

Step 16: Align and tighten both clamps.

**Figure I****Refer to Figure I for Steps 17-20**

Step 17: Reinstall the air scoop using the two screws (20) removed in step 6.

Step 18: Reconnect the air temperature sensor (21).

Step 19: Reconnect the vent hose (22).

Step 20: Check all the components are tight and secure. Your installation is now complete. Thank you for choosing aFe POWER!

NOTE: Check all screws, clamps, and connectors are secure after 100-200 miles.



Page left blank intentionally



Page left blank intentionally



Page left blank intentionally



advanced FLOW engineering, inc.

252 Granite Street Corona, CA 92879

<https://afepower.com/contact>

P/N: 06-81237