

**advanced FLOW engineering**

Magnum FORCE Stage-2 Air Intake System

**Instruction Manual** P/N: 54-13020D / 54-13020R

Make: **RAM** Model: **1500** Year: **19-21** Engine: **V8-5.7L HEMI**



- Please read the entire instruction manual before proceeding.
- Ensure all components listed are present.
- If you are missing any of the components, call customer support at 951-493-7100.
- Ensure you have all necessary tools before proceeding.
- Do not attempt to work on your vehicle when the engine is hot.
- Disconnect the negative battery terminal before proceeding.
- Retain factory parts for future use.

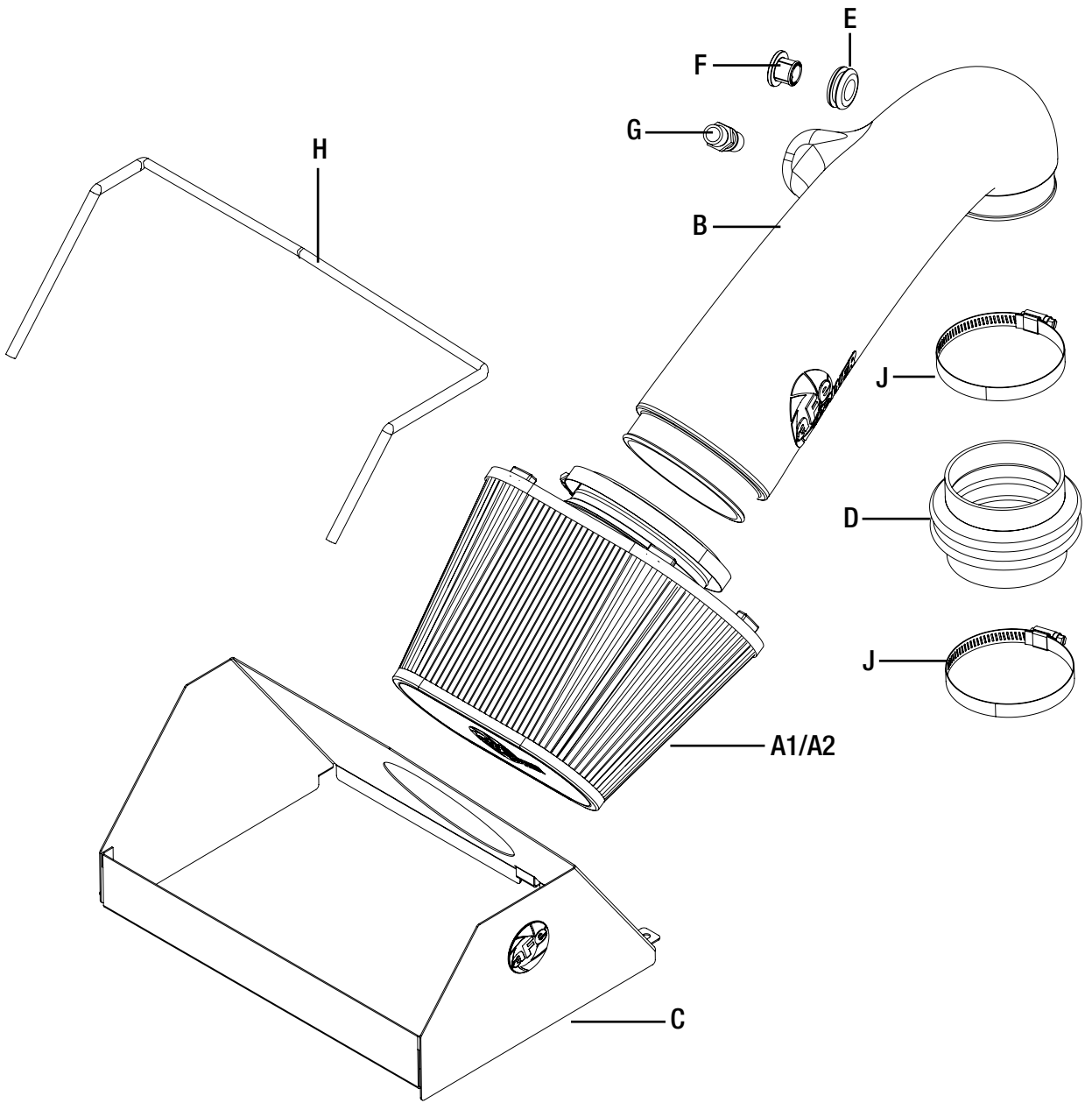
Label	Qty.	Description	Part Number
A1	1	Air Filter (Pro DRY S)	21-90108
A2	1	Air Filter (Pro 5R)	24-90108
B	1	Tube	05-5413020B1
C	1	Housing	05-5413020B2
D	1	Coupling, Silicone Bellow	05-01389
E	1	Grommet, Rubber	03-50167
F	1	Fitting, Air Temp Sensor	05-01454
G	1	Fitting, Vent Tube	05-01339
H	1	Seal, Trim: 7/16" (32" inches)	05-00072
I	2	Clamp, #056	03-50009

### Tools required for installation:

20mm wrench or adjustable wrench, 8mm & 10mm nut drivers.

Warranty Information available at: <https://afepower.com/contact#warranty>

Note: Legal in California for use on race vehicles only. The use of this device on vehicles used on public streets or highways is strictly prohibited in California and others states that have adopted California emission regulations.





**Refer to Figure A for Step 1**

Step 1: Remove the 6 screws ① holding the top portion of the airbox together using a 10mm nut driver. Set all screws aside for later use.

**Figure B****Refer to Figure B for Steps 2-3**

Step 2: Disconnect the Temperature Sensor harness ② from the factory intake.

Step 3: Push the release button on the crank case vent connector and pull up on the tube to remove the connector ③ from the fitting on the stock intake tube.



Figure C

**Refer to Figure C for Steps 4-5**

- Step 4: Loosen the clamp (4) holding the intake tube to the throttle body using an 8mm nut driver.
- Step 5: Remove the stock intake tube and top half of the housing out of the vehicle and remove the factory filter.



Figure D

**Refer to Figure D for Step 6**

Step 6: Install the seal trim (5) around the top edge of the aFe heat shield. (Trim where necessary)



Figure E

**Refer to Figure E for Step 7**

Step 7: Remove the filter clamp from the aFe filter and install the filter into the opening in the heat shield, locking the filter retention groove into place.





Figure F

**Refer to Figure F for Steps 8-9**

Step 8: Place the heat shield and filter on the bottom half of the stock airbox and make sure the mounting tabs line up.

Step 9: Use the 6 factory screws ⑥ removed in Step 1 to mount the heat shield down onto the airbox using a 10mm nut driver.



**Refer to Figure G for Steps 10-11**

Step 10: Install the supplied 3/8 NPT fitting ⑦ into the threaded insert on the aFe intake tube. Hand tighten using a 20mm wrench or adjustable wrench.

Step 11: Install the supplied grommet into your aFe intake tube and install the supplied temperature sensor fitting ⑧ into the grommet.

**Figure H****Refer to Figure H for Step 12**

Step 12: Carefully remove the temperature sensor out of the factory intake tube by turning  $\frac{1}{4}$  turn and pulling out. Install the temperature sensor (9) into the aFe intake tube by pressing it into the fitting and turning  $\frac{1}{4}$  turn to lock into place.



Figure I

**Refer to Figure I for Step 13**

Step 13: Install the bellows coupling and one of the #056 clamps ⑩ onto the throttle body of the vehicle and tighten the clamp at the throttle body using an 8mm nut driver.



Figure J

**Refer to Figure J for Step 14**

Step 14: Install the aFe intake tube into the filter with the filter clamp ⑪.



Figure K

**Refer to Figure K for Step 15**

Step 15: Place the 2nd #056 clamp ⑫ onto the bellows coupling. Install intake tube to bellows coupling and tighten the clamps using an 8mm nut driver.



Figure L

**Refer to Figure L for Steps 16-17**

Step 16: Check that all clamps are snug, and all mounting screws are secure.

Step 17: Reconnect the temperature sensor wire harness ⑬ and crank case vent connector hose ⑭.

Your installation is now complete! Thank you for choosing aFe POWER!

**NOTE: Check all bolts, clamps, and connectors after 100-200 miles.**



**advanced FLOW engineering, inc.**  
252 Granite Street Corona, CA 92879  
TEL: 951.493.7100 • TECH: 951.493.7134  
E-Mail: [Tech@aFepower.com](mailto:Tech@aFepower.com)